



CURRICULUM – 2020

(C-20)

DIPLOMA IN

COMPUTER ENGINEERING

State Board of Technical Education & Training
Andhra Pradesh
Amaravathi

CURRICULUM- C 20
FOR
DIPLOMA PROGRAMMES OF SBTET,AP

PREAMBLE

The proposed programme intends to develop a skilled technician to support the industries both nationally or globally. It also helps to kindle the spirit of entrepreneurship with necessary skills and theoretical inputs aligning with the National policy of 'Make in India'. The programme also provides for accomplishing higher education goals for those who wish to enrich their theoretical concepts further.

The State Board of Technical Education and Training, (SBTET) AP, has been offering Diploma programmes to meet the above said aspirations of the stake holders: industries, students, academia, parents and the society at large. As such, it has been the practice of SBTET, A.P., to keep the curriculum abreast with the advances in technology through systematic and scientific analysis of current curriculum and bring out an updated revised version at regular intervals. Accordingly the SBTET, AP under the aegis of the Department of Technical Education, Andhra Pradesh in its 57th Board Meeting held on 05-02-2019 (vide item no: 18) resolved to update the Polytechnic Curriculum C-16 with the guidance of National Institute of Technical Teachers Training & Research (NITTTR), Extension Centre, Vijayawada (ECV), to be implemented with effect from the academic year '20-21.

Analysis of Curriculum C-16 (SWOT analysis) started in the month of June-2019. Feedback was collected from all stake holders: Students, Lecturers, Senior Lecturers, Head of Sections and Principals for all programmes for this purpose. A series of workshops with subject experts followed in the subsequent weeks and the draft curricula were prepared for every programme. Finally, an interactive session with representatives from industries, academia and subject experts was held on 04.01.2020 for thorough perusal and critique of draft curricula; and the suggestions received thus received from Industrialists and academia have been recorded , validated by another set of experienced subject teachers from the Department of Technical education for incorporation into the Curriculum C-20.

The design of new Curricula for the different diploma programmes has thus been finalised with the active participation of the members of the faculty teaching in the Polytechnics of Andhra Pradesh, and duly reviewed by Expert Committee constituted of academicians and representatives from industries. Thus, the primary objective of the curriculum change is to produce employable technicians in the country by correlating the growing needs of the industries with relevant academic input.

The outcome based approach as given by NBA guidelines has been followed throughout the design of this curriculum is designed to meet the requirements of NBA Accreditation, too.

The revised New Curriculum i.e., Curriculum–2020 (C-20) is approved by BoG of SBTET for its implementation with effect from 2020-21.

Highlights of Curriculum C-20:

1. Duration of course for regular Diploma and for sandwich Diploma is 3 years and 3½ years respectively.
2. The Curriculum is prepared in Semester Pattern. However, First Year is maintained as Year-wise pattern.
3. 6 Months Industrial training has been introduced for 3 years Diploma Courses and 1 year Industrial Training is introduced for 3 ½ years Sandwich Diploma courses.
4. Updated subjects relevant to the industry are introduced in all the Diploma courses.
5. CISCO course content has been incorporated into the ECE and CME programmes for certification from CISCO in lieu of industrial training when students are unable to get Industrial Training placement in any industry.
6. The policy decisions taken at the State and 1Central level with regard to environmental science are implemented by including relevant topics in Chemistry. This is also in accordance with the Supreme Court guidelines issued in Sri Mehta's case.
7. Keeping in view the increased need of communication skills which is playing a major role in the success of Diploma Level students in the Industries, emphasis is given for learning and acquiring listening, speaking, reading and writing skills in English. Further as emphasized in the meetings, Communication Skills lab and Life Skills lab are continuing for all the branches.
8. CAD specific to the branch has been given emphasis in the curriculum. Preparing drawings using CAD software has been given more importance.
9. Upon reviewing the existing C-16 curriculum, it is found that the theory content is found to have more weightage than the Practical content. In C-20 curriculum, more emphasis is given to the practical content in Laboratories and Workshops, thus strengthening the practical skills.
10. With increased emphasis for the student to acquire Practical skills, the course content in all the subjects is thoroughly reviewed and structured as outcome based than the conventional procedure based.
11. Curricula of Laboratory and Workshops have been thoroughly revised based on the suggestions received from the industry and faculty, for better utilization of the equipment available in the Polytechnics. The experiments /exercises that are chosen for the practical sessions are identified to confirm to the field requirements of industry.
12. An exclusive section for assessing Higher order Thinking skills (HOTS) has been introduced in summative evaluation.

Acknowledgements:

It is pertinent to acknowledge the support of the following in the making of Curriculum C-20. A series of workshops in three phases were conducted by NITTTR, AP Extension Centre, Vijayawada involving faculty from Polytechnics, Premier Engineering Colleges & Industries to analyze the Previous C-16 Curriculum and to design C-20 Curriculum under the guidance of Dr C. R. Nagendra Rao, Professor & Head, NITTTR-ECV. The efforts & support extended by NITTTR to bring out final Curriculum C-20 by incorporating needs, aspiration & expectations of all stake holders is highly appreciated and gratefully acknowledged.

The Members of the working group are grateful to Sri M.M. Nayak, I.A.S., Special Commissioner of Technical Education & Chairman of SBTET, AP. and Sri. G. Anantha Ramu, I.A.S., Principal Secretary, Department of Skill Development and Training for their guidance and valuable inputs during process of revising, modifying and updating the Curriculum C-20. The Members acknowledge with thanks the guidance & inspiration provided by Sri. V.S. Dutt, Secretary, SBTET, Andhra Pradesh and other officials of Directorate of Technical Education and the State Board of Technical Education, Andhra Pradesh, experts from industry,

academia from the universities and higher learning institutions and all teaching fraternity from the Polytechnics who are directly or indirectly involved in preparation of the curricula.

RULES AND REGULATIONS OF C-20 CURRICULUM

1 DURATION AND PATTERN OF THE COURSES

All the Diploma programs run at various institutions are of AICTE approved 3 years or 3½ years duration of academic instruction.

All the Diploma courses are run on year wise pattern in the first year, and the remaining two or two & half years are run in the semester pattern. In respect of few courses like Diploma in Bio-Medical course, the training will be in the seventh semester. Run-through system is adopted for all the Diploma Courses, subject to eligibility conditions.

2 PROCEDURE FOR ADMISSION INTO THE DIPLOMA COURSES:

Selection of candidates is governed by the Rules and Regulations laid down in this regard from time to time.

- a) Candidates who wish to seek admission in any of the Diploma courses will have to appear for the Common Entrance Test for admissions into Polytechnics (POLYCET) conducted by the State Board of Technical Education and Training, Andhra Pradesh, Vijayawada.

Only the candidates satisfying the following requirements will be eligible to appear for the Common Entrance Test for admissions into Polytechnics (POLYCET).

- b) The candidates seeking admission should have appeared for S.S.C examination, conducted by the Board of Secondary Education, Andhra Pradesh or equivalent examination thereto, at the time of applying for the Common Entrance Test for admissions into Polytechnics (POLYCET). In case of candidates whose results of their Qualifying Examinations is pending, their selection shall be subject to production of proof of their passing the qualifying examination in one attempt or compartmentally at the time of admission.
- c) Admissions are made based on the merit obtained in the Common Entrance Test (POLYCET) and the reservation rules stipulated by the Government of Andhra Pradesh from time to time.
- d) For admission into the following Diploma Courses for which entry qualification is 10+2, candidates need not appear for POLYCET. A separate notification will be issued for admission into these courses.
- i). D.HMCT ii).D. Pharmacy

3 MEDIUM OF INSTRUCTION

The medium of instruction and examination shall be English.

4 PERMANENT IDENTIFICATION NUMBER (PIN)

A cumulative / academic record is to be maintained of the Marks secured in sessional work and end examination of each year for determining the eligibility for promotion etc., A Permanent Identification Number (PIN) will be allotted to each admitted candidate to maintain academic records.

5 NUMBER OF WORKING DAYS PER SEMESTER / YEAR:

- a) The Academic year for all the Courses shall be in accordance with the Academic Calendar.
- b) The Working days in a week shall be from Monday to Saturday
- c) There shall be 7 periods of 50 minutes duration each on all working days.
- d) The minimum number of working days for each semester / year shall be 90 / 180 days excluding examination days. If this prescribed minimum is not achieved due to any reason, special arrangements shall be made to conduct classes to complete the syllabus.

6 ELIGIBILITY (ATTENDANCE TO APPEAR FOR THE END EXAMINATION)

- a) A candidate shall be permitted to appear for the end examination in all subjects, if he or she has attended a minimum of 75% of working days during the year/Semester.
- b) Condonation of shortage of attendance in aggregate up to 10% (65% and above and below 75%) in each semester or 1st year may be granted on medical grounds.
- c) A stipulated fee shall be payable towards condonation for shortage of attendance.
- d) Candidates having less than 65% attendance shall be detained.
- e) Students whose shortage of attendance is not condoned in any semester / 1st year and not paid the condonation fee in time are not eligible to take their end examination of that class and their admissions shall stand cancelled. They may seek re-admission for that semester / 1st year when offered in the next subsequent academic semester/year.
- f) For INDUSTRIAL TRAINING:
 - i) During Industrial Training the candidate shall put in a minimum of 90% attendance.
 - ii) If the student fails to secure 90% attendance during industrial training, the student shall reappear for 6 months industrial training at his own expenses.

7 READMISSION

Readmission shall be granted to eligible candidates by the respective Principal/ Regional Joint Director.

- a) (i) Within 15 days after commencement of class work in any semester (Except Industrial Training).
(ii) For Industrial Training: before commencement of the Industrial training.
- b) Within 30 days after commencement of class work in any year (including D. Pharmacy course or first year course in Engineering and Non Engineering Diploma streams).
Otherwise such cases shall not be considered for readmission for that semester / year and are advised to seek readmission in the next subsequent eligible academic year.
The percentage of attendance of the readmitted candidates shall be calculated from the first day of beginning of the regular class work for that year / Semester, as officially announced by CTE/SBTET but not from the day on which he/she has actually reported to the class work.

8 SCHEME OF Evaluation

a) First Year

THEORY Courses: Each Course carries Maximum marks of 80 with examination of 3 hours duration, along with internal assessment for Maximum of 20 marks. (Sessional marks). However, there are no minimum marks prescribed for sessionals.

Laboratory Courses: There shall be 40 Marks for internal assessment i.e. sessional marks for each practical Course with an end examination of 3 hours duration carrying 60 marks. However, there are no minimum marks prescribed for sessionals.

b) III, IV, V, VI and VII Semesters:

THEORY Courses: End semester evaluation shall be of 3 hours duration and for a maximum of 80 marks.

Laboratory Courses: Each Course carry 60/30 marks of 3hours duration 40/20 sessional marks.

9 INTERNAL ASSESSMENT SCHEME

- a) **Theory Courses:** Internal assessment shall be conducted for awarding sessional marks on the dates specified. **Three unit tests shall be conducted for I year students and two Unit Tests for semesters.**
Internal Assessment shall be of 90 minutes duration and for a maximum of 40 marks.
For each test
The average of marks of all the test, reduced to 20 shall be taken as final sessional in any case.

b) **Practical Courses:**

(i) **Drawing Courses:**

The award of sessional marks for internal Assessment shall be as given in the following table

Distribution of Marks for the Internal Assessment Marks			
First Year (Total:40 Marks)		Semesters (Total:40 Marks)	
Max:20 Marks	Max:20 Marks	Max:20 Marks	Max:20 Marks
From the Average of THREE Unit Tests.	From the Average of Assessment of Regular Class work Exercises.	From the Average of TWO Unit Tests.	From the Average of Assessment of Regular Class work Exercises.

All Drawing exercises are to be filed in **serial order** and secured for further scrutiny by a competent authority

(ii) **Laboratory Courses:**

Student's performance in Laboratories / Workshop shall be assessed during the year/ semester of study for 40 marks in each practical Course.

Evaluation for Laboratory Courses, other than Drawing courses:

- i. Instruction (teaching) in laboratory courses (except for the course on Drawing) here after shall be task/competency based as delineated in the Laboratory sheets, prepared by SBTET, AP & NITTTR- ECV and posted in SBTET website.
 - ii. Internal assessment for Laboratory shall be done on the basis of task/s performed by the student as delineated in the laboratory sheets, prepared by SBTET, AP & NITTTR- ECV and posted in AP, SBTET website.
 - iii. Question paper for End semester Evaluation shall also be task/s based and shall be prepared and distributed by SBTET as done in case of theory courses be prepared as per SBTET rules in vogue.
- c) Internal assessment in Labs / workshops / Survey field work etc., during the course of study shall be done and sessional marks shall be awarded by the concerned Teacher.
- d) For practical examinations, except in drawing, there shall be two examiners. External examiner shall be appointed by the Principal in consultation with respective Head of Section preferably choosing a qualified person from in the order of preference.
- i) Nearby Industry
 - ii) Govt / Semi Govt organization like R & B, PWD, PR, Railways, BSNL,APSRTC,APSEB etc.,
 - iii) Govt / University Engg College.
 - iv) HoDs from Govt.Polytechnic
- Internal examiner shall be the person concerned with internal assessment as in (c) above. The end examination shall be held along with all theory papers in respect of drawing.
- e) Question Paper for Practicals: Question paper should cover (the experiments / exercise prescribed to test various) skills like handling, manipulating, testing, trouble shooting, repair, assembling and dismantling etc., from more than one experiment / exercise
- f) Records pertaining to internal assessment marks of both theory and practical Courses are to be maintained for official inspection.

g) In case of Diploma programs *having* Industrial Training, Internal Assessment and Summative Evaluation, shall be done as illustrated in the following table:

Assessment no	Upon completion of	By	Based on	Max Marks
1	12 weeks	1.The faculty concerned and 2. Training Mentor of the industry	Learning outcomes as given in the scheme of assessment ,for Industrial Training	120
2	20-22 weeks			120
3.Final summative Evaluation	23 week	1.The faculty member concerned, 2.HoD concerned and 3.An external examiner	1.Demonstration of any one of the skills listed in learning outcomes	30
			2.Training Report	20
			3.Viva Voce	10
TOTAL				300

10 MINIMUM PASS MARKS

THEORY EXAMINATION:

For passing a theory Course, a candidate has to secure a minimum of 35% in end examination and a combined minimum of 35% of both Sessional and end examination marks put together.

PRACTICAL EXAMINATION:

For passing a practical Course, a candidate has to secure a minimum of 50% in end examination and a combined minimum of 50% of both sessional and practical end examination marks put together. In case of D.C.C.P., the pass mark for typewriting and short hand is 45% in the end examination. There are no sessional marks for typewriting and Shorthand Courses of D.C.C.P course.

INDUSTRIAL ASSESSMENT:

Pass marks is 50% in assessment at Industry (I and II assessments put together) and also 50% in final summative assessment at institution level

11. PROVISION FOR IMPROVEMENT

Improvement is allowed only after he / she has completed all the Courses from First Year to Final semester of the Diploma.

- Improvement is allowed in any 4 (Four) Courses of the Diploma.
- The student can avail of this improvement chance **ONLY ONCE**, that too within the succeeding two examinations after the completion of Diploma. However, the duration including Improvement examination shall not exceed **FIVE** years from the year of first admission.
- No improvement is allowed in Practical / Lab Courses or Project work or Industrial Training assessment. However, improvement in drawing Course(s) is allowed.
- If improvement is not achieved, the marks obtained in previous Examinations hold good.
- Improvement is not allowed in respect of the candidates who are punished under Mal-practice in any Examination.

- f) Examination fee for improvement shall be paid as per the notification issued by State Board of Technical Education and Training from time to time.
- g) All the candidates who wish to appear for improvement of performance shall deposit the original Marks Memos of all the years / Semesters and also original Diploma Certificate to the Board. If there is improvement in performance of the current examination, the revised Memorandum of marks and Original Diploma Certificate will be issued, else the submitted originals will be returned.

12. RULES OF PROMOTION FROM 1ST YEAR TO 3RD, 4TH, 5TH, 6TH and 7TH SEMESTERS:

A) For Diploma Courses of 3 Years duration

- i. A candidate shall be permitted to appear for first year examination provided he / she puts in 75% attendance (which can be condoned on Medical grounds upto 10%) i.e. attendance after condonation on Medical grounds should not be less than 65% and pay the examination fee.
- ii. A candidate shall be promoted to 3rd semester if he/she puts the required percentage of attendance in the first year and pays the examination fee. A candidate who could not pay the first year examination fee has to pay the promotion fee as prescribed by State Board of Technical Education and Training, AP from time to time before commencement of 3rd semester.
- iii. A candidate shall be promoted to 4th semester provided he/she puts the required percentage of attendance in the 3rd semester and pay the examination fee. A candidate, who could not pay the 3rd semester exam fee, has to pay the promotion fee as prescribed by State Board of Technical Education and Training AP from time to time before commencement of 4th semester.

A candidate is eligible to appear for the 4th semester examination if he/she

- a) Puts the required percentage of attendance in the 4th semester
- b) Should not have failed in more than four Courses in 1st year

For IVC & ITI Lateral Entry Students:

- a) A candidate is eligible to appear for the 4th semester examination if he/she puts the required percentage of attendance in the 4th semester
- b) A candidate is eligible to appear for the 4th semester examination if he/she clears at least two Courses in third semester.
- iv) A candidate shall be promoted to 5th semester provided he / she puts the required percentage of attendance in the 4th semester and pays the examination fee. A candidate, who could not pay the 4th semester examination fee, has to pay the promotion fee as prescribed by State Board of Technical Education and Training from time to time before commencement of 5th semester.

A candidate is eligible to appear for the 5th semester examination if he/she

- a) Puts the required percentage of attendance in the 5th semester
- b) Should get eligibility to appear for 4th Semester examination.

The first backlog exam in 5th semester will be conducted only in instant/supplementary diploma examination.

For IVC& ITI Lateral Entry students:

- a) Puts the required percentage of attendance in the 5th semester
- v) A candidate shall be sent to Industrial training provided he/she puts in the required percentage of attendance in the 4th semester and pay the examination fee/ promotion fee as prescribed by SBTET.

A candidate is eligible to appear for Industrial Training assessment (Seminar/Viva-voce)

- a) Puts the required percentage of attendance, ie., 90% in 6th semester Industrial Training

For IVC & ITI Lateral Entry students:

- a) Puts the required percentage of attendance, ie., 90% in 6th semester Industrial Training.
- b) should get eligibility to appear for 5th Semester Examination.

B) For Diploma Courses of 3 ½ Years duration (MET/ CH/ CHPP/ CHPC/ CHOT/ TT):

- i. A candidate shall be permitted to appear for 1st year examination provided he / she puts in 75% attendance (which can be condoned on Medical grounds upto 10%) i.e. attendance after condonation on Medical grounds should not be less than 65% and pay the examination fee.
- ii. A candidate shall be promoted to 3rd semester if he/she puts the required percentage of attendance in the 1st year and pays the examination fee. A candidate who could not pay the 1st year examination fee has to pay the promotion fee as prescribed by State Board of Technical Education and Training from time to time before commencement of 3rd semester.
- iii. A candidate shall be promoted to 4th semester provided he/she puts the required percentage of attendance in the 3rd semester and pay the examination fee. A candidate, who could not pay the 3rd semester exam fee, has to pay the promotion fee as prescribed by State Board of Technical Education and Training from time to time before commencement of 4th semester.
 - A candidate is eligible to appear for the 4th semester exam if he/she
 - a). Puts the required percentage of attendance in the 4th semester
 - b). Should not have failed in more than Four backlog Courses of 1st year.

For IVC & ITI Lateral Entry students:

- a) Puts the required percentage of attendance in the 4th semester
- iv. A candidate shall be promoted to 5th semester industrial training provided he / she puts the required percentage of attendance in the 4th semester and pays the examination fee. A candidate, who could not pay the 4th semester examination fee, has to pay the promotion fee as prescribed by State Board of Technical Education and Training from time to time before commencement of 5th semester.
- v. Promotion from 5th to 6th semester is automatic (i.e., from 1st spell of Industrial Training to 2nd spell) provided he/she puts the required percentage of attendance, which in this case ie.,90 % of attendance and attends for the VIVA-VOCE examination at the end of training.
- vi. A candidate shall be promoted to 7th semester provided he / she puts the required percentage of attendance in the 6th semester and pays the examination fee. A candidate, who could not pay the 6th semester examination fee, has to pay the

promotion fee as prescribed by State Board of Technical Education and Training from time to time before commencement of 7th semester.

- vii. A candidate shall be promoted to 7th semester of the course provided he/she has successfully completed both the spells of Industrial Training.

A candidate is eligible to appear for 7th semester examination if he/she

- a) Puts in the required percentage of attendance in the 7th semester
- b) Should get eligibility to appear for 4th semester Examination.

For IVC & ITI Lateral Entry students:

- a) Puts in the required percentage of attendance in the 7th semester
- b) Should not have failed more than four backlog Courses of 3rd Semester

C) For Diploma Courses of 3 ½ Years duration (BM):

The same rules which are applicable for conventional courses also apply for this course. The industrial training in respect of this course is restricted to one semester (6 months) after the 6th semester (3 years) of the course.

- i. A candidate shall be permitted to appear for first year examination provided he / she puts in 75% attendance (which can be condoned on Medical grounds upto 10%) i.e. attendance after condonation on Medical grounds should not be less than 65% and pay the examination fee.
- ii. A candidate shall be promoted to 3rd semester if he/she puts the required percentage of attendance in the first year and pays the examination fee. A candidate who could not pay the first year examination fee has to pay the promotion fee as prescribed by State Board of Technical Education and Training from time to time before commencement of 3rd semester.
- iii. A candidate shall be promoted to 4th semester provided he/she puts the required percentage of attendance in the 3rd semester and pay the examination fee. A candidate who could not pay the 3rd semester examination fee, has to pay the promotion fee as prescribed by State Board of Technical Education and Training from time to time before commencement of 4th semester.
A candidate is eligible to appear for the 4th semester examination if he/she
 - a) Puts in the required percentage of attendance in the 4th semester
 - b) Should not have failed in more than Four backlog Courses of 1st year

For IVC & ITI Lateral Entry Students:

A candidate is eligible to appear for the 4th semester examination if he/she puts the required percentage of attendance in the 4th semester

- iv. A candidate shall be promoted to 5th semester provided he / she puts the required percentage of attendance in the 4th semester and pays the examination fee. A candidate, who could not pay the 4th semester examination fee, has to pay the promotion fee as prescribed by State Board of Technical Education and Training from time to time before commencement of 5th semester.
A candidate is eligible to appear for the 5th semester exam if he/she
 - a) Puts in the required percentage of attendance in the 5th semester.
 - b) Should get eligibility to appear for 4th Semester examination.

For IVC & ITI Lateral Entry students:

- a) Puts in the required percentage of attendance in the 5th semester.
- b) Should not have failed in more than Four backlog Courses of 3rd Semester.

- v. A candidate shall be promoted to 6th semester provided he/she puts in the required percentage of attendance in the 5th semester and pays the examination fee. A candidate who could not pay the 5th semester examination fee, has to pay the promotion fee as prescribed by State Board of Technical Education and Training from time to time before commencement of 6th semester. A candidate is eligible to appear for 6th semester examination
- Puts in the required percentage of attendance in 6th semester and
 - should get eligibility to appear for 4th Semester Examination.

For IVC & ITI Lateral Entry students:

- Puts in the required percentage of attendance in 6th semester.
 - Should get eligibility to appear for 5th Semester Examination.
- vi. A candidate shall be promoted to 7th semester provided he/she puts in the required percentage of attendance in 6th semester and pay the examination fee. A candidate, who could not pay the 6th semester examination fee, has to pay the promotion fee prescribed by SBTET from time to time before commencement of the 7th semester (Industrial Training). A candidate is eligible to appear for 7th semester Industrial Training assessment (Seminar/Viva-voce) if he/she
- Puts in the required percentage of attendance, ie., 90% in 7th semester Industrial Training
 - Should get eligibility to appear for 4th Semester Examination.

For IVC & ITI Lateral Entry students:

- Puts in the required percentage of attendance, ie., 90% in 7th semester Industrial Training.
- Should get eligibility to appear for 5th Semester Examination.

Important Note:

Seminar/Viva-voce should not be conducted for Not-Eligible Candidates, till the candidate gets eligibility. However, the record of internal Assessment for Industrial Training for 260 marks shall be maintained at Institution Level for all candidates and the data is to be uploaded only for eligible candidates. For not eligible candidates the data is to be uploaded as and when the candidate gets eligibility.

OTHER DETAILS

- In case a candidate does not successfully complete the Industrial training, he / she will have to repeat the training at his / her own cost.
- The First spell of Industrial training shall commence 10 days after the completion of the last theory examination of 4th Semester.
- The Second spell of Industrial training shall commence within 10 days after the completion of first spell of Industrial training.

13. STUDENTS PERFORMANCE EVALUATION

Successful candidates shall be awarded the Diploma under the following divisions of pass.

- a) First Class with Distinction shall be awarded to the candidates who secure an overall aggregate of 75% marks and above.
- b) First Class shall be awarded to candidates who secure overall aggregate of 60% marks and above and below 75% marks.
- c) Second Class shall be awarded to candidates who secure a pass with an overall aggregate of below 60%.
 - i. The Weightage of marks for various year/Semesters which are taken for computing overall aggregate shall be 25% of I year marks + 100% of 3rd and subsequent Semesters.
 - ii. In respect IVC & ITI Lateral Entry candidates who are admitted directly into diploma course at the 3rd semester (i.e., second year) level the aggregate of (100%) marks secured at the 3rd and subsequent semesters of study shall be taken into consideration for determining the overall percentage of marks secured by the candidates for award of class/division.
- d) Second Class shall be awarded to all students, who fail to complete the Diploma in the regular 3 years/ 3 ½ years and four subsequent examinations, from the year of first admission.

14. EXAMINATION FEE SCHEDULE:

The examination fee should be as per the notification issued by State Board of Technical Education and Training, AP from time to time.

15. STRUCTURE OF EXAMINATION QUESTION PAPER:

I. Formative assessment (Internal examination)

a) For theory Courses:

Three unit tests for first year and two unit tests for semesters shall be conducted with a duration of 90 minutes for each test for maximum marks of 40. It consists of part A and Part B.

Part A contains five questions and carries 16 marks. Among these five questions first question consists of four objective items like one word or phrase answer/filling-in the blanks/true or false etc with one mark for each question. The other four questions are short answer questions and carry three marks each.

Part B carries 24 marks and consists of three questions with internal choice i.e., Either/Or type, and each question carries 8 marks.

The sum of marks of 3 tests for I year and 2 tests for semesters shall be reduced to 20 marks in each Course for arriving at final sessional marks.

b) For drawing Courses:

For I year:

Three unit tests with duration of 90 minutes and for maximum marks of 40 marks shall be conducted for first year. It consists of part A and Part B.

Part A consists four questions for maximum marks of 16 and each question carries four marks (4×4 marks=16 marks).

Part B carries maximum marks of 24 and consists of five questions while the student shall answer any three questions out of these five questions. Each question in this part carries a maximum marks of 8, (3×8 marks=24 marks).

The sum of marks obtained in 3 unit test marks shall be reduced to 20 marks for arriving at final sessional marks. Remaining 20 marks are awarded by the Course teacher based on the student's performance during regular class exercise.

For semester: Two unit tests with duration of 90 minutes and for maximum marks of 40 marks shall be conducted. The sum of marks obtained in 2 unit test marks shall be reduced to 20 marks for arriving at final sessional marks. Remaining 20 marks are awarded by the Course teacher based on the student's performance during regular class exercise

c) For Laboratory /workshop: 50% of total marks for the Course shall be awarded based on continuous assessment of the student in laboratory/workshop classes and the remaining 50% shall be based on the sum of the marks obtained by the students in two tests.

II. Summative assessment (End examination)

The question paper for theory examination is patterned in such a manner that the Weightage of periods/marks allotted for each of the topics for a particular Course be considered. End Examination paper is of 3 hours duration.

a) **Each theory paper consists of Section 'A', 'B' and 'C'.**

Section 'A' with Max marks of 30, contains 10 short answer questions. All questions are to be answered and each carries 3 marks, i.e., $10 \times 3 = 30$.

Section 'B' with Max marks of 40 contains 5 essay type questions including Numerical questions (without any divisions in the question), with internal choice(Either/or type), each carrying 8 marks, i.e., Max. Marks: $5 \times 8 = 40$.

Section 'C' with Max marks of 10 contains single essay type, Higher order Thinking skills question (HoTs)including Numerical questions, without choice (without any divisions in the question),

Thus the total marks for theory examination shall be: 80.

b) **For Engineering Drawing Course (107) consist of section 'A' and section 'B'.**

Section 'A' with max marks of 20, contains four (4) questions. All questions in section 'A' are to be answered to the scale and each carries 5 marks, ie. $4 \times 5=20$.

Section 'B' with max marks of 40, contains six (6) questions. The student shall answer any four (4) questions out of the above six questions and each question carries 10 Marks, ie. $4 \times 10 = 40$.

c) **Practical Examinations**

For Workshop practice and Laboratory Examinations, Each student has to pick up a question paper distributed by Lottery System.

Max. Marks for an experiment / exercise : 50

Max. Marks for VIVA-VOCE : 10

Total Max. Marks : 60

In case of practical examinations with 50 marks, the marks shall be distributed as

Max. Marks for an experiment / exercise : 25

Max. Marks for VIVA-VOCE : 05

Total Max. Marks : 30

In case of any change in the pattern of question paper, the same shall be informed sufficiently in advance to the candidates.

d) **Note: Evaluation for Laboratory Courses, other than Drawing courses:**

- I. Instruction (teaching) in laboratory courses (except for the course on Drawing) hereafter shall be task/competency based as delineated in the Laboratory sheets, prepared by SBTET, AP and posted in its website.
- II. Internal assessment for Laboratory shall be done on basis of task/s performed by the student as delineated in the laboratory sheets, prepared by SBTET, AP and posted in its website.
- III. Question paper for End semester Evaluation shall be prepared as per SBTET rules in vogue.

16. ISSUE OF MEMORANDUM OF MARKS

All candidates who appear for the end examination will be issued memorandum of marks without any payment of fee. However candidates who lose the original memorandum of marks have to pay the prescribed fee to the Secretary, State Board of Technical Education and Training, A.P. for each duplicate memo from time to time.

17. MAXIMUM PERIOD FOR COMPLETION OF DIPLOMA Programmes:

Maximum period for completion of the diploma courses is twice the duration of the course from the date of First admission (includes the period of detention and discontinuation of studies by student etc) failing which they will have to forfeit the claim for qualifying for the award of Diploma (They will not be permitted to appear for examinations after that date). This rule applies for all Diploma courses of 3 years and 3 ½ years of engineering and non-engineering courses.

18. ELIGIBILITY FOR AWARD OF DIPLOMA

A candidate is eligible for award of Diploma Certificate if he / she fulfil the following academic regulations.

- i. He / She pursued a course of study for not less than 3 / 3 ½ academic years & not more than 6 / 7 academic years.
- ii. He / she have completed all the Courses.
Students who fail to fulfil all the academic requirements for the award of the Diploma within 6 / 7 academic years from the year of admission shall forfeit their seat in the course & their seat shall stand cancelled.

For IVC & ITI Lateral Entry students:

- i. He / She pursued a course of study for not less than 2 / 2 ½ academic years & not more than 4 / 5 academic years.
- ii. He / she has completed all the Courses.
Students who fail to fulfill all the academic requirements for the award of the Diploma within 4 / 5 academic years from the year of admission shall forfeit their seat in the course & their seat shall stand cancelled.

19. ISSUE OF PHOTO COPY OF VALUED ANSWER SCRIPT, RECOUNTING& REVERIFICATION:

A) FOR ISSUE OF PHOTO COPIES OF VALUED ANSWER SCRIPTS

- I. A candidate desirous of applying for Photo copy of valued answer script/s should apply within prescribed date from the date of the declaration of the result.
- II. Photo copies of valued answer scripts will be issued to all theory Courses and Drawing Course(s).
- III. The Photo copy of valued answer script will be dispatched to the concerned candidate's address as mentioned in the application form by post.
- IV. No application can be entertained from third parties.

B) FOR RE-COUNTING(RC) and RE-VERIFICATION(RV) OF THE VALUED ANSWER SCRIPT

- i. A candidate desirous of applying for Re-verification of valued answer script should apply within prescribed date from the date of the declaration of the result.
- ii. Re-verification of valued answer script shall be done for all theory Courses' and Drawing Course(s).
- iii. The Re-verification committee constituted by the Secretary, SBTETAP with Course experts shall re-verify the answer scripts.

I. RE-COUNTING

The Officer of SBTET will verify the marks posted and recount them in the already valued answer script. The variations if any will be recorded separately, without making any changes on the already valued answer script. The marks awarded in the original answer script are maintained (hidden).

II. RE-VERIFICATION

- (i) The Committee has to verify the intactness and genuineness of the answer script(s) placed for Re-verification.
- (ii) Initially single member shall carry out the re-verification.
- (iii) On re-verification by single member, if the variation is less than 12% of maximum marks, and if there is no change in the STATUS in the result of the candidate, such cases will not be referred to the next level ie., for 2-Tier evaluation.
- (iv) On re-verification by a single member, if the variation is more than 12% of maximum marks, it will be referred to 2-Tier evaluation.
- (v) If the 2-Tier evaluation confirms variation in marks as more than 12% of maximum marks, the variation is considered as follows:
 - a) If the candidate has already passed and obtains more than 12% of the maximum marks on Re-verification, then the variation is considered.
 - b) If the candidate is failed and obtains more than 12% of the maximum marks on Re-verification and secured pass marks on re-verification, then the status of the candidate changes to PASS.
 - c) If a candidate is failed and obtains more than 12% of the maximum marks on Re-verification and if the marks secured on re-verification are still less than the minimum pass marks, the status of the candidate remain FAIL only.
- (vii) After Re-verification of valued answer script the same or change if any therein on Re-verification, will be communicated to the candidate.
- (viii) On Re-verification of Valued Answer Script if the candidate's marks are revised, the fee paid by the candidate will be refunded or else the candidate has to forfeit the fee amount.

Note: No request for Photo copies/ Recounting /Re-verification of valued answer script would be entertained from a candidate who is reported to have resorted to Malpractice in that examination.

20. MAL PRACTICE CASES:

If any candidate resorts to Mal Practice during examinations, he / she shall be booked and the Punishment shall be awarded as per SBTETAP rules and regulations in vogue.

21. DISCREPANCIES/ PLEAS:

Any Discrepancy /Pleas regarding results etc., shall be represented to the SBTETAP within one month from the date of issue of results. Thereafter, no such cases shall be entertained in any manner.

22. ISSUE OF DUPLICATE DIPLOMA

If a candidate loses his/her original Diploma Certificate and desires a duplicate to be issued he/she should produce written evidence to this effect. He / she may obtain a duplicate from the Secretary, State Board of Technical Education and Training, A.P., on payment of prescribed fee and on production of an affidavit signed before a First Class Magistrate (Judicial) and non-traceable certificate from the Department of Police. In case of damage of original Diploma Certificate, he / she may obtain a duplicate certificate by surrendering the original damaged certificate on payment of prescribed fee to the State Board of Technical Education and Training, A.P.

In case the candidate cannot collect the original Diploma within 1 year from the date of issue of the certificate, the candidate has to pay the penalty prescribed by the SBTET AP from time to time.

23. ISSUE OF MIGRATION CERTIFICATE AND TRANSCRIPTS:

The Board on payment of prescribed fee will issue these certificates for the candidates who intend to prosecute Higher Studies in India or Abroad.

24. The following specific changes are discussed and incorporated: COMPUTER ENGINEERING

Changes imposed in theory subjects

1. CM-105 , Basics of Computer Engineering(BCE) :
Introduced Hardware Concepts, advanced computer technologies like big data, Ethical hacking, Machine Learning, Augmented Reality, Virtual Reality and mixed reality concepts and other related VR terminology.
2. CM-302, Digital Electronics:
Introduced the topic Number systems (Removed in BCE and Moved to Digital Electronics)
3. CM-305, DBMS:
Introduced the topic cursors and triggers in PL/SQL.
4. CM-402, Web Technologies:
Subject title was changed from Web Designing to Web Technologies after adding the additional topics AJAX, JQuery, Angular JS and "Form handling" in Java script as well as in PHP.
5. CM-403, Computer Organization and Microprocessors :
The title is changed to Computer Organization and Microprocessors.
Introduced the topic Fundamentals of 8086 and Microprocessors (Architecture of 8086, Architecture of Pentium and comparative study of 80286, 80386, 80486 and Pentium processors)
6. CM-404. OOPs Through C++:
Introduced new subject to enable the students to learn Object Oriented Programming concept skills.

7. CM-405. Computer Networks:
Introduced new subject to enable the students to learn Computer Network concepts and methodologies as per ISO/OSI standards.
8. CM-501.Industrial Management and Entrepreneurship:
The subject title is changed Industrial Management and Smart Technologies to Industrial Management and Entrepreneurship as the smart technology concept is already being covered in the newly introduced subject called Internet of Things,CM-504.
9. CM-502,Java Programming:
A new advance topic by name “collections” is introduced to meet the current industrial standards.
10. CM-503,Software Engineering:
Unified modelling language(UML) design concepts and case study is introduced in UNIT-4.
11. CM-504. Internet Of Things:
Introduced new subject to make the students to learn and to become globally competitive enough with latest advancements in computer science and Engg., like sensor networks ,cloud computing, WPAN,RFID,NFC,ZIGBEE and various protocols like XMPP, COAP, etc.,
12. CM-505. Python Programming:
Introduced new subject to enable the students to learn advanced programming language to develop machine learning application, GUI based applications, IOT based applications, database and web applications

Changes imposed in the Practical subjects

1. CM110: Computer Fundamentals Lab :
introduced Adobe Photoshop exercises.
2. CM-308: DBMS Lab:
Introduced the exercises on cursors and triggers in PL/SQL to enforce constraints and data validation and verification.
3. CM-309: Multimedia Lab:
Introduced the new Lab with PageMaker, Photoshop, Telugu DTP to get students acquainted with DTP packages which makes the passed out students to readily accept Local Jobs for immediate placements. Experiments on MS-Access are included to enable the students to work with data bases which are the prerequisite for further courses.
4. CM-406:Web Technologies Lab:
Subject title was changed from Web Designing Lab to Web Technologies Lab after adding additional exercises on latest tools like AJAX, JQuery ,Angular JS and Form handling in Java Script as well as in PHP.
5. CM-407: OOPs Through C++ Lab:Introduced new Lab to learn Object Oriented Programming concepts thoroughly
6. CM-409:Computer Hardware & Network Maintenance Lab:
Introduced new Lab to impart the skills in computer hardware maintenance and

Network maintenance, Network Administration instead of mere acquiring theoretical knowledge .

7. CM-506:Java Programming Lab:

Programs on new advanced topic by name “collections” are introduced.

8. CM-507: Python Programming Lab:

Introduced new Lab to enable the students to learn advanced programming language to develop machine learning applications, GUI based applications, Database and Web based real time applications.

9. CM-509: Project work:

New practical subject introduced. The subject introduced to encourage the student’s application skills and team management skills. Student has to design, develop ,test ,validate and deploy the software/Hardware project which solves the real time day to day problems of individuals , organisations and IT industries.

10. CM-601 Industrial Training: A six month Industrial training is introduced exclusively to get training from the industries.(instead of in-house training as per C-16 curriculum).

11. Mini projects are included.

25. GENERAL

- i. The Board may change or amend the academic rules and regulations or syllabi at any time and the changes or amendments made shall be applicable to all the students, for whom it is intended, with effect from the dates notified by the competent authority.
- ii. All legal matters pertaining to the State Board of Technical Education and Training, AP are within the jurisdiction of Vijayawada.
- iii. In case of any ambiguity in the interpretation of the above rules, the decision of the Secretary, SBTET, A.P is final.

VISION

Develop Computer Engineers to be technologically adept, innovative, self-motivated and responsible citizen with human values , high quality skills and to contribute significantly towards ever changing Computer Technologies.

MISSION

M1	To provide opportunity to Diploma students who are capable of playing pivotal role in wide aspects of modern Computer Engineering.
M2	To make the students understand basic concepts underlie in Computer Engineering and able to apply them creatively in different fields of Engineering
M3	To train the student sensitive to the Environment, safety and economic context.
M4	To produce technically skilled students through intensive training in Computer Engineering tools and application and to prepare the students for professional career and further research.

PROGRAMME EDUCATIONAL OBJECTIVES(PEOs)

Computer Engineering programme is ever changing to transform to transform students into competent professionals with qualities, ethics and human values . On completion of the integrated programme, the students should have acquired the following characteristics

PEO1	To produce best Diploma in Computer Engineering technicians by correlating growing need of the industries in modern topics with the academic input and giving the technical knowledge for further learning.
PEO2	To prepare the students as productive Computer Engineers, possessing supportive and leadership skills in multidisciplinary domains, expertise in Practical orientation, Communication Skills and latest developments.
PEO3	To give the depth of related skills and expertise in a single field, and the ability to collaborate with other disciplines and work at the Supervisory cadre.
PEO4	To promote the students in professionalism, by successful completion of the Diploma in Computer Engineering by emphasizing Field Practices in industry oriented activities.
PEO5	To sensitize the students on social and economic commitment and to inculcate a nature to guard the values of community and protect environment.

PROGRAMME SPECIFIC OUTCOME(PSOs)

PSO1	Foundation of Computer System: Ability to understand the principles and working of computer systems and can assess the hardware and software aspects of computer systems.
PSO2	Foundations of Software development: Ability to understand the structure and development methodologies of software systems. Possess professional skills and knowledge of software design process. Familiarity and practical competence with a broad range of programming language and open source platforms.
PSO3	Foundation of mathematical concepts: Ability to apply mathematical methodologies to solve computation task, model real world problem using appropriate data structure and suitable algorithm, methodologies in developing computer related problem solutions as well as apply them in establishing new firms in small scale with the help of experience gained as part of industrial training.

PROGRAM OUTCOMES (POs)

Students completing Diploma in Computer Engineering are anticipated to have the following abilities	
PO1	Basic and Discipline specific knowledge: Apply knowledge of basic mathematics, science and engineering fundamentals and engineering specialization to solve the engineering problems.
PO2	Problem analysis: Identify and analyse well-defined engineering problems using codified standard methods.
PO3	Design/ development of solutions: Design solutions for well-defined technical problems and assist with the design of systems components or processes to meet specified needs.
PO4	Engineering Tools, Experimentation and Testing: Apply modern engineering tools and appropriate technique to conduct standard tests and measurements.
PO5	Engineering practices for society, sustainability and environment: Apply appropriate technology in context of society, sustainability, environment and ethical practices.
PO6	Project Management: Use engineering management principles individually, as a team member or a leader to manage projects and effectively communicate about well-defined engineering activities.
PO7	Life-long learning: Ability to analyse individual needs and engage in updating in the context of technological changes.

MAPPING OF PEOs WITH MISSIONS

PEO	M1	M2	M3	M4
To produce best Diploma in Computer Engineering technicians by correlating growing need of the industries in modern topics with the academic input and giving the technical knowledge for further learning.	✓	✓	✓	✓
To prepare the students as productive Computer Engineers, possessing supportive and leadership skills in multidisciplinary domains, expertise in Practical orientation, Communication Skills and latest developments.	✓	✓	✓	✓
To give the depth of related skills and expertise in a single field, and the ability to collaborate with other disciplines and work at the Supervisory cadre.	✓	✓	✓	✓
To promote the students in professionalism, by successful completion of the Diploma in Computer Engineering by emphasizing Field Practices in industry oriented activities.	✓	✓	✓	✓
To sensitize the students on social and economic commitment and to inculcate a nature to guard the values of community and protect environment.	✓	✓	✓	✓

NOTE :

In some of the courses PO5,PO6 and PO7 strength is between 1 and 2,to strengthen them,the following remedial measures for all the courses are suggested.

Short fall in PO	Remedial measures
PO5	By conducting 1) Guest lectures on motivational aspects and ethics 2) Concerned teacher will educate the students to follow ethics and morals in developing solutions 3) providing access to Online courses like Swayam program 4) seminars by senior students to the junior students to assimilate the methods followed by them to the juniors 5) Head of section will frequently visit and observe the activities being followed by the students to correct their behavior and to inculcate morals and ethics
PO6	They can achieve this from industrial training module scheduled in 6 th semester of this curriculum by observing, analyzing and applying the mathematical and scientific fundamentals in solving the real time problems that will arise in day to day activities in industry.
PO7	<ol style="list-style-type: none"> 1. Providing access to Online courses like Swayam program 2. By utilizing Learning Management System(LMS) established by SBTET 3. By subscribing e-magzines/ print magzines to the institute library and made them accessible to the students. 4. By arranging Guest lectures from the technical experts.

FIRST YEAR

**DIPLOMA IN COMPUTER ENGINEERING
SCHEME OF INSTRUCTIONS AND EXAMINATION**

CURRICULUM-2020

(FIRST YEAR)

Sub Code	Name of the Subject	Instruction Periods/Week		Total Periods Per Year	Scheme Of Examinations			
		Theory	Practicals		Duration (hrs)	Sessional Marks	End Exam Marks	Total Marks
THEORY SUBJECTS								
CM-101	English-I	3	-	90	3	20	80	100
CM-102	Engineering Mathematics - I	5	-	150	3	20	80	100
CM-103	Engineering Physics	4	-	120	3	20	80	100
CM-104	Engineering Chemistry and Environmental studies	4	-	120	3	20	80	100
CM-105	Basics of Computer Engineering	3	-	90	3	20	80	100
CM-106	Programming in C	5	-	150	3	20	80	100
PRACTICAL SUBJECTS								
CM-107	Engineering Drawing	-	6	180	3	40	60	100
CM-108	Programming in C Lab	-	6	180	3	40	60	100
CM-109	Physics Lab	-	3	90	1½	20	30	50
	Chemistry Lab	-	3	90	1½	20	30	50
CM-110	Computer Fundamentals Lab		3	90	3	40	60	100
	Total	24	21		-			1000

CM-101,102,103,104,107,109,110 common with all branches

CM-106,108 common with DIT branch

English

Course Code	Course Title	No. of Periods/Week	Total No. of Periods	Marks for FA	Marks for SA
CM-101	English	3	90	20	80

S. No.	Unit Title	No of Periods	COs Mapped
1	English for Employability	8	CO1, CO2, CO3, CO4
2	Living in Harmony	8	CO1, CO2, CO3, CO4
3	Connect with Care	8	CO1, CO2, CO3, CO4
4	Humour for Happiness	8	CO1, CO2, CO3, CO4
5	Never Ever Give Up!	8	CO1, CO2, CO3, CO4
6	Preserve or Perish	9	CO1, CO2, CO3, CO4
7	The Rainbow of Diversity	8	CO1, CO2, CO3, CO4
8	New Challenges- Newer Ideas	8	CO1, CO2, CO3, CO4
9	The End Point First!	8	CO1, CO2, CO3, CO4
10	The Equal Halves	8	CO1, CO2, CO3, CO4
11	Dealing with Disaster	9	CO1, CO2, CO3, CO4
Total Periods		90	

Course Objectives	To improve the skills of English Language use by enriching vocabulary and learning accurate structures for effective communication.
	To comprehend themes for value based living in professional and personal settings.

CO No.	Course Outcomes
CO1	Applies perceptions of themes related to societal responsibility of adolescents towards their surroundings.
CO2	Demonstrates knowledge of form and function of 'grammar items' and use them in both academic and everyday situations.
CO3	Demonstrates effective English communication skills with competence in listening, speaking, reading and writing in academic, professional and everyday contexts.
CO4	Displays positivity and values of harmonious living in personal and professional spheres as reflected through communication.

CO-PO Matrix

Course Code CM-101	Course Title: English Number of Course Outcomes: 4			No. of Periods: 90	
POs	Mapped with CO No.	CO Periods Addressing PO in Column 1		Level of Mapping (1,2,3)	Remarks
		Number	Percentage		
PO1		Not directly Applicable for English course, however activities that use content from science and technology relevant to the Programme taken up by the student shall be exploited for communication in the Course.			
PO2					
PO3					
PO4					
PO5	CO1, CO2, CO3, CO4	20	22		>50%: Level 3
PO6	CO1, CO2, CO3, CO4	52	58		21-50%: Level 2
PO7	CO1, CO2, CO3, CO4	18	20		Up to 20%: Level 1

Level 3 – Strongly Mapped

Level 2- Moderately Mapped

Level 1- Slightly Mapped

	PO 1	PO 2	PO 3	PO 4	PO 5	PO 6	PO 7
CO 1					✓	✓	✓
CO 2					✓	✓	✓
CO3					✓	✓	✓
CO 4					✓	✓	✓

NOTE: CO-PO groups shall be fulfilled through activities that use content from science and technology relevant to the Programme taken up by the student shall be exploited for communication in the Course.

PO5: Appropriate quiz programme may be conducted at intervals and duration as decided by concerned teacher.

PO6: Seminars on applications of mathematics in various engineering disciplines are to be planned and conducted.

PO7: Such activities are to be planned that students visit library to refer standard books on Mathematics and latest updates in reputed national and international journals, attending seminars, learning mathematical software tools.

Blue Print of Question Paper:

S. No.	Name of the Unit	Periods Allocated	Weightage Allocated	Marks Wise Distribution of Weightage				Question Wise Distribution of Weightage				CO's Mapped				
				R	U	Ap	An	R	U	Ap	An					
1	English for Employability	8	17	3	8*			1	1*	1*		CO1, CO2, CO3, CO4				
2	Living in Harmony	8		3				1					CO1, CO2, CO3, CO4			
3	Connect with Care	8				3							CO1, CO2, CO3, CO4			
4	Humour for Happiness	8	14		3	8*		1	1*			CO1, CO2, CO3, CO4				
5	Never Ever Give Up!	8			3			1				CO1, CO2, CO3, CO4				
6	Preserve or Perish	9	14		8*	3		1*	1			CO1, CO2, CO3, CO4				
7	The Rainbow of Diversity	8				3						1	CO1, CO2, CO3, CO4			
8	New Challenges - Newer Ideas	8	35		8*	8*+ 3+3+ 3	10*	1*	4	1*		CO1, CO2, CO3, CO4				
9	The End Point First!	8														CO1, CO2, CO3, CO4
10	The Equal Halves	8														CO1, CO2, CO3, CO4
11	Dealing with Disasters	9														CO1, CO2, CO3, CO4
TOTAL		90	80	6	30	34	10	2	5	8	1					

PART-A: 10 Questions 3 marks each =30 Marks
 PART-B: 5 Questions 8 marks each =40 Marks
 Part-C: 1 Question 10 marks =10 Marks
 (Higher Order Question)

All Questions are compulsory : 60 minutes
 Internal choice : 90 minutes
 No choice, one compulsory question : 30 minutes

NOTE: * indicates questions can be given from any of the corresponding lessons in the blue print.

Question Paper Pattern for Unit Tests

Part A: 16 marks: 4 questions with 1 mark each (FIB, True/false, one word/phrase, etc.)

4 questions with 3 marks each (short answer/ descriptive/ applicative questions)

Part B: 24 marks: 3 questions 8 marks each with internal choice

Learning Outcomes

1. English for Employability

1.1. Explain the need for improving communication in English for employability

1.2. Use adjectives and articles effectively while speaking and in writing

1.3. Write simple sentences .

2. Living in Harmony

2.1. Develop positive self-esteem for harmonious relationships

2.2. Use affixation to form new words

2.3. Use prepositions and use a few phrasal verbs contextually

3. Connect with Care

3.1. Use social media with discretion

3.2. Speak about abilities and possibilities

3.3. Make requests and express obligations

3.4. Use modal verbs and main verbs in appropriate form

3.5. Write short dialogues for everyday situations

4. Humour for Happiness

4.1. Explain the importance of humour for a healthy living

4.2. Improve vocabulary related to the theme

4.3. Display reading and speaking skills

4.4. Frame sentences with proper Subject – Verb agreement

4.5. Explain the features of a good paragraph and learn how to gather ideas as a preliminary step for writing a good paragraph.

5. Never Ever Give Up!

5.1. Practice to deal with failures in life.

5.2. Use the present tense form for various every day communicative functions such as speaking and writing about routines, professions, scientific descriptions and sports commentary.

5.3. Write paragraphs with coherence and other necessary skills.

6. Preserve or Perish

6.1. Describe the ecological challenges that we face today and act to save the environment.

6.2. Narrate / Report past events.

6.3. Develop vocabulary related to environment.

6.4. Write e-mails.

7. The Rainbow of Diversity

7.1. Illustrate and value other cultures for a happy living in multi-cultural workspace

7.2. use different types of sentences

7.3. Ask for or give directions, information, instructions

7.4. Use language to express emotions in various situations

7.5. Write letters in various real life situations

8. New Challenges – Newer Ideas

8.1. Explain the functional difference between Active Voice and Passive Voice

8.2. Use Passive Voice to speak and write in various contexts

8.3. List the major parts and salient features of an essay

8.4. Explain latest innovations and get motivated

9. The End Point First!

- 9.1. Illustrate the importance of setting a goal in life
- 9.2. Report about what others have said both in speaking and writing
- 9.3. Write an essay following the structure in a cohesive and comprehensive manner
- 9.4. Apply the words related to Goal Setting in conversations and in life

10. The Equal Halves

- 10.1. Value the other genders and develop a gender-balanced view towards life
- 10.2. Identify the use of different conjunctions in synthesising sentences
- 10.3. Write various types of sentences to compare and contrast the ideas
- 10.4. Apply the knowledge of sentence synthesis in revising and rewriting short essays
- 10.5. Develop discourses in speech and writing

11. Dealing with Disasters

- 11.1. Speak and write about different kinds of disasters and the concept of disaster management
- 11.2. Generate vocabulary relevant to disaster management and use it in sentences
- 11.3. Analyze an error in a sentence and correct it
- 11.4. write different kinds of reports

Textbook: INTERACT (A Textbook for I Year English) - Published by SBTET, AP

Reference Books:

- | | |
|---|---|
| Martin Hewings | : Advanced Grammar in Use, Cambridge University Press |
| Murphy, Raymond | : English Grammar in Use, Cambridge University Press |
| Sidney Greenbaum | : Oxford English Grammar, Oxford University Press |
| Wren and Martin (Revised
by N.D.V. Prasad Rao) | : English Grammar and Composition, Blackie ELT Books, S.
Chand and Co. |
| Sarah Freeman | : Strengthen Your Writing, Macmillan |

STATE BOARD OF TECHNICAL EDUCATION –A.P
C20- CM-101-ENGLISH
UNIT TEST-1

Time: 90 minutes

Max. Marks: 40

PART-A

4X4= 16 marks

Instructions: Answer all the questions. Each question carries FOUR Marks.

1. Rewrite / Fill in the blank as directed. Each question carries ½ Mark. **(CO2)**
 - a) Write the antonym of 'cruel'
 - b) Write the synonym of 'love'
 - c) Give prefix to 'adventure'.
 - d) Give suffix to 'liberate'
 - e) It is _____ universal truth. (Fill in with suitable article)
 - f) The boy is fond _____ ice-cream. (Fill in the blank with proper preposition)
 - g) He _____ not like sweets. (Fill in the blank with correct primary auxiliary verb.)
 - h) We _____ respect our national flag. (Fill in with a proper modal verb)
2. Rewrite the sentences as directed. Each question carries One mark. 4X1=4 Marks **(CO2)**
 - a) No other metal is so useful as iron. (Change into superlative degree)
 - b) Very few students are so clever as Ramesh. (Change into comparative degree)
 - c) Guess the contextual meaning of the italicized word in the following sentence.
"The CBI officer has *interrogated* the bank employees in connection with the scam."
 - d) _____ only sings plays Prasanth not also well but cricket. (Rearrange the jumbled words)
3. Fill in the blanks with proper form of the verb given in brackets. 4X1 = 4 marks **(CO2)**

The IPSGM _____(hold) in our college last month. Nearly all the colleges in our zone _____(participate) in the event. The prizes _____ (distribute) by the district collector. Next year, Government Polytechnic, Vijayawada _____ (conduct) the games meet.
4. Rewrite the following sentences after making necessary corrections: 4X 1= 4 Marks **(CO3)**
 - a) The police has arrested the culprit.
 - b) Three hundred miles are a long distance.
 - c) The Principal along with the Heads of Sections have visited the laboratories.
 - d) Either he or I is to blame.

PART-B

3X8=24 Marks

Instructions: Answer all the questions and each question carries EIGHT marks.

5. Write a dialogue of at least five turns between a shopkeeper and customer about buying a mobile phone. **(CO3)**
6. Make an analysis and write a paragraph in around 100 words about your strengths and weaknesses in learning and using English and also the measures to improve it. **(CO3)**
7. Write a paragraph in about 100 words on how to overcome low esteem and negativity. **(CO3, CO4)**

STATE BOARD OF TECHNICAL EDUCATION –A.P
C20-CM-101-ENGLISH
UNIT TEST-II

Time: 90 minutes

Max. Marks: 40

PART-A

4X4= 16 Marks

Instructions: Answer all the questions. Each question carries FOUR marks.

1. Match the words in column A with their corresponding meanings in column B **(CO2)**

Column A

- a) Deserve
- b) hidden
- c) Preserve
- d) Incessant

Column B

- i) continuous
- ii) protect
- iii) worthy
- iv) praise
- v) unseen
- vi) affection

2. Rewrite as directed: **(CO3)**

- a) You ask your Mom to give you another chocolate. (Change into a request)
- b) The baby fell down and got injured. (Change into an exclamatory sentence)
- c) The match was very interesting. (Frame a question using 'how')
- d) Hemanth submitted his project report last week. (Frame Yes-No question)

3. Fill in the blanks with appropriate forms of verbs given in brackets: **(CO2)**

- a) The Sun _____ (set) in the west.
- b) Balu _____ (sing) for over fifty years in the films.
- c) We _____ (see) a camel on the road yesterday.
- d) They _____(enter) the stadium before the gates were closed.

4. Change the voice of the following: **(CO2)**

- a) Marconi invented the radio.
- b) Sravanthi has been offered a job.
- c) Pragathi can type the letter.
- d) The Chief Guest will be received by the Final year students.

PART-B

3X8=24 Marks

Answer all the questions. Each question carries EIGHT marks.

5. Write a letter to your younger brother motivating him to deal with failures and hurdles in life. **(CO3)**

6. Write an essay in around 120 words on the role of robots in the modern world. **(CO3)**

7. Read the following passage and answer the questions that follow: **(CO3)**

The greatest enemy of mankind, as people have discovered, is not science, but war. Science merely reflects the social forces by which it is surrounded. It was found that when there is peace, science is constructive when there is war, science is perverted to destructive end. The weapons which science gives us do not necessarily create war. These make war increasingly more terrible. Until now, it has brought us on the doorstep of doom. Our main problem, therefore, is not to curb science, but to substitute law for force, and international government for anarchy in the relations of one nation with another. That is a job in which everybody must participate, including the scientists. Now we are face to face with these urgent questions: Can education and tolerance, understanding and creative intelligence run fast enough to keep us side by side without our mounting capacity to destroy? That is the question which we shall have to answer, one way or the other, in this generation. Science must help us in the answer, but the main decision lies within ourselves. The hour is late and our work has scarcely begun.

- a. What is the chief enemy of man?
- b. What does science reflect?

- c. When is science perverted?
- d. What makes war more terrible?
- e. Why do we need international government?
- f. What are the four aspects that may stop destruction?
- g. Have we really started our work to fight the problem discussed?
- h. Pick the word from the passage that would mean: 'replace with other one'

STATE BOARD OF TECHNICAL EDUCATION –A.P
C20-CM-101-ENGLISH
UNIT TEST-III

Time: 90 minutes

Max. Marks: 40

PART-A

4X4 = 16 Marks

Instructions: Answer all the questions. Each question carries Four marks.

1. Give the meaning of the word in italics: **(CO3)**
 - a) When the girls laughed in the class, the teacher was *furios*.
 - b) He was *rusticated* from the school for his misbehavior.
 - c) Vikramaditya was a *benevolent* Indian King.
 - d) We should not show any *discrimination* between boys and girls.
2. Change the speech of the following: **(CO2)**
 - a) He said, "I am sorry."
 - b) The teacher said to the boys, "Why are you late?"
 - c) Sushma said that she had submitted her report recently.
 - d) Pratap requested Priya to give him her pen.
3. Rewrite as directed: **(CO2)**
 - a) Though he was weak, he took the test. (change into a simple sentence)
 - b) You must work hard to achieve success. (change into a complex sentence)
 - c) If you run fast, you will catch the bus. (change into a compound sentence)
 - d) The fog disappeared when the Sun rose. (Split into two simple sentences)
4. Locate eight errors from the following passage and correct them. **(CO2)**

Once upon a time there live a king who was very kind to his people. In his council of ministers, there is a wise man. He had a son called Sumanth who was a educated and highly learned. Once the wise minister fall sick. All the physicists in the country could not heal him. Then Sumanth will go in search of medicine in Himalayas. He bring the special medicinal roots to cure his father's sickness. Sumanth looked before his father carefully and healed him. The king rewarded Sumanth with rich gifts.

PART- B

3X8 = 24 Marks

Instructions: Answer all the questions and each one carries eight marks.

5. Read the following paragraph and make notes first and then its summary. **(CO3)**

Astronauts are people who travel on space ships. They need to have a very clean home. They travel far from Earth. We need clean kitchens everywhere on earth and in space. Astronauts have to solve two problems: how to get food and how to keep their spaceship clean. Here is how they solved the food problem. At first, the astronauts took tubes of food with them into space. They would squeeze a tube and eat semi-liquid food. It did not taste great, but since they did not need to take dishes or silverware with them, they had no dishes to wash. Today's spaceships have a bigger menu. Astronauts can eat from bowls. In fact, they take cereal and other standard foods with them. The foods are packaged in special containers to keep them fresh. They use knives, forks, and spoons. One unusual item on their table is a pair of scissors. They use the scissors to open the food packages. They can eat right from the package. They have a kitchen on the spaceship. Its oven can heat food to 170 degrees. The kitchen has water and sets of meals that come on trays. The astronauts choose their menu before they go into space. They take a lot of food with them. The astronauts keep bread and fresh fruits and vegetables in a special food locker. How do they keep the kitchen clean? They do not have to worry about mice or other rodents. They make sure that there are no rodents before the ship leaves. But sometimes mice

travel on the ship. Those mice are part of experiments. They live in cages. How do astronauts keep their trays clean? That is another health problem the astronauts solve. They need to stay healthy in space. To carry a lot of water to wash trays would be a lot of extra weight. They pack wet wipes in plastic bags. They use them to clean trays. So, their kitchen is clean and they stay healthy.

6. Write an essay in about 120 words on the importance of goal setting and your short and long term goals. **(CO3,CO4)**
7. Write a report about the bush fire that raged in Australia recently by using the following clues: forest, natural disaster, wild fire, dried leaves, no rain fall, wild animals, burnt alive, loss of flora and fauna, fire fighters, uncontrollable, moderate rains, environmental pollution, measures to protect...etc. **(CO3)**

STATE BOARD OF TECHNICAL EDUCATION- A.P
Model Question Paper
C20-CM-101- ENGLISH

Time:3hrs

Max.Marks:80

PART-A

10X3=30

Marks Instructions: Answer all the questions. Each question carries Three marks.

1. a) Fill in the blanks with suitable articles: **(CO2)**
I have seen _____ European at _____ local market.
- b) Fill in with proper form of adjective given in the bracket: **(CO2)**
China is the _____ country in the world. (populous, more populous, most populous)
- c) i) Choose the synonym from the following for the word : 'filthy' **(CO3)**
dirty / clean / hygienic / tidy
- ii) Choose the antonym from the following for the word: 'exterior' **(CO3)**
external / internal / open / interior

2. a) i) Give prefix for the word: 'popular' **(CO2)**
ii) Write suffix for the word : 'king' **(CO2)**
- b) He was married _____ her _____ January 2015. (Fill in with appropriate preposition) **(CO3)**
- c) Match the words in column A with their corresponding meanings in column B: **(CO2)**

Column-A	Column-B
i) Dynamic	a) tasty
ii) Gloomy	b) active
	c) sad
	d) proud

3. a) The old man *hunted* for his spectacles. (Give the contextual meaning of the word in italics) **(CO3)**
- b) The committee / have submitted / its report / to the President. (identify the part which contains an error) **(CO3)**
- c) recently has a scooter purchased Shanthi. (Rearrange the jumbled words to make a meaningful sentence.) **(CO3)**

4. a) Use the following primary auxiliary verb in sentence of your own: **(CO2)**
' does'
- b) Fill in the blank with proper modal auxiliary verb based on the clue in the bracket:
Harish _____ speak four languages. (ability) **(CO2)**
- c) Rakesh wants two hundred rupees from his father. (Write the sentence how he requests his Father) **(CO2)**

5. Fill in the blanks with suitable form of the verb given in brackets: **(CO2)**
 - a) He _____ (go) for a walk daily.
 - b) The bus _____ (arrive) just now.
 - c) We _____ (live) in Chennai since 2005.

6. Change the voice of the following sentences: (CO2)
 a) English is spoken all over the world.
 b) They watched a movie yesterday.
 c) The Chief Minister will inaugurate the exhibition.
7. a) It is a beautiful rainbow. (Change into an exclamatory sentence) (CO3)
 b) C.V. Raman won the Nobel Prize in 1930. (Frame a question using 'When') (CO3)
 c) He can swim across the river. (change into 'Yes / No' question) (CO3)
8. Change the speech of the following: (CO2)
 a) He said, "I will go to Delhi tomorrow."
 b) Ravi said to Ashok, " Where are you going?"
 c) She told him to mind his own business.
9. Rewrite as directed: (CO2)
 a) In spite of being busy he attended the meeting. (Rewrite the sentence using 'though')
 b) She is poor. She is honest. (combine the two sentences using 'but')
 c) On seeing the tiger, he climbed a tree. (split into two simple sentences)
10. Rewrite the following sentences after making necessary corrections: (CO2)
 a) We have gone to picnic yesterday.
 b) Suresh watched T.V when I went to his house.
 c) They left Gujarat before the earthquake occurred.

PART-B

5X8=40

Instructions: Answer the following questions. Each question carries EIGHT marks.

11. Write a paragraph in about 100 words on what you do daily. (CO3,CO4)
 OR
 Write a paragraph in about 100 words on the uses and misuses of social media.
12. Construct a dialogue of at least five turns between an American and you about places worth visiting in your city. (CO3,CO4)
 OR
 Compose a dialogue of at least five turns between two friends, one favouring homemade food and the other, fast foods.
13. Write a letter to your parents about your preparation for year-end examinations. (CO3,CO4)
 OR
 Write a letter to the editor of a newspaper about the inconvenience caused due to loud speakers in your area.
14. Write an essay in about 120 words on measures to prevent water pollution.
 OR
 Write an essay in about 120 words on importance of gender equality.
15. Read the following passage and answer the questions that follow: (CO3)
 A farmer in ancient China had a neighbour who was a hunter, and who owned ferocious and poorly trained hunting dogs. They jumped over the fence frequently and chased the farmer's lambs. The farmer asked his neighbour to keep his dogs in check, but this fell on deaf ears. One day the dogs again jumped the fence, attacked and severely injured several of the lambs. The farmer had had enough, and went to town to consult a judge who listened carefully to the story and said: "I could punish the hunter and instruct him to keep his dogs chained or lock them up. But

you would lose a friend and gain an enemy. Which would you rather have, friend or foe for a neighbour?" The farmer replied that he preferred a friend. "Alright, I will offer you a solution that keeps your lambs safe, and which will keep your a neighbour a friend." Having heard the judge's solution, the farmer agreed.

Once at home, the farmer immediately put the judge's suggestions to the test. He took three of his best lambs and presented them to his neighbour's three small sons, who were beside themselves with joy and began to play with them. To protect his son's newly acquired playthings, the hunter built a strong kennel for his dogs. Since then, the dogs never again bothered the farmer's lambs. Out of gratitude for the farmer's generosity toward his sons, the hunter often shared the game he had hunted with the farmer. The farmer reciprocated by sending the hunter the cheese he had made. Within a short time the neighbours became good friends.

- a) What kind of dogs does the neighbor have?
- b) When did the farmer consult the judge?
- c) What would be the consequence if the judge punished the neighbor?
- d) What was the solution suggested by the judge?
- e) What did the neighbour's sons do with the gifts they received?
- f) How did the dogs stop bothering the farmer's lambs?
- g) What items are exchanged happily between the two neighbours?
- h) Pick the word from the passage that would mean: 'a closed shelter for dogs'.

OR

Read the following short poem and answer the questions that follow:

Crisp in the winter's morning,
Softly all through the night,
What is this without warning,
Falling and white?

I have never seen snow,
But I can imagine it quite –
Not how it tastes, but I know,
It falls and is white.

One morning I'll open the door,
To bring in the morning's milk,
And all around there'll be snow –
Fallen and still.

How I'll roll in the stuff!
How I'll tumble and spin!
Until the neighbours cry,
Enough! And send me back in.

- Q.1. What is the poem about?
2. How does snow fall?
3. Did you ever touch snow? How did you feel?
4. a) Pick the word from the poem that means 'slip and fall'
- b) Write the antonym for the word 'soft'

SECTION – C

1X10=10 Marks

16. Write a report on the blood donation camp organized by International Red Cross Society in your college. Use the following clues: date, time, place, arrangements, donors, equipment, doctors, response, sponsors, snacks, volunteers, help others, save lives...etc.

Course Code	Course Title	No. of Periods/week	Total No. of periods	Marks for FA	Marks for SA
CM-102	Engineering Mathematics-I	5	150	20	80

S.No.	Unit Title	No. of periods	COs mapped
1	Algebra	31	CO1
2	Trigonometry	44	CO2
3	Co-ordinate Geometry	23	CO3
4	Differential Calculus	33	CO4
5	Applications of Differentiation	19	CO4, CO5
Total Periods		150	

Course Objectives	<ul style="list-style-type: none"> (i) To apply the principles of Algebra, Trigonometry and Co-Ordinate Geometry to real-time problems in engineering. (ii) To comprehend and apply the concept of Differential Calculus in engineering applications.
--------------------------	---

Course Outcomes	CO1	Identify various functions, resolve partial fractions and solve problems on matrices.
	CO2	Solve problems using the concept of trigonometric functions, their inverses and complex numbers.
	CO3	Find the equations and properties of straight lines, circles and conic sections in coordinate system.
	CO4	Evaluate the limits and derivatives of various functions.
	CO5	Evaluate solutions for engineering problems using differentiation.

**ENGINEERING MATHEMATICS – I
COMMON TO ALL BRANCHES**

Learning Outcomes

UNIT - I

C.O. 1 Identify various functions, resolve partial fractions and solve problems on matrices.

L.O. 1.1 Define Set, ordered pairs and Cartesian product - examples.

1.2 Explain Relations and functions – examples

1.3 Find Domain & Range of functions – simple examples.

1.4 Classify types of functions (into, many-to-one, one-one, onto and bijective).

1.5 Define inverse functions - examples.

1.6 Define rational, proper and improper fractions of polynomials.

1.7 Explain the procedure of resolving rational fractions of the type mentioned below into partial fractions

$$i) \frac{f(x)}{(ax+b)(cx+d)} \quad ii) \frac{f(x)}{(ax+b)^2(cx+d)}$$

$$iii) \frac{f(x)}{(x^2+a^2)(bx+c)} \quad iv) \frac{f(x)}{(x^2+a^2)(x^2+b^2)}$$

1.8 Define a matrix and order of a matrix.

1.9 State various types of matrices with examples (emphasis on 3rd order square matrices).

1.10 Compute sum, scalar multiplication and product of matrices. Illustrate the properties of these operations such as associative, distributive, commutative properties with examples and counter examples.

1.11 Define the transpose of a matrix and write its properties;

1.12 Define symmetric and skew-symmetric matrices with examples. Resolve a square matrix into a sum of a symmetric and skew-symmetric matrices and provide examples.

1.13 Define determinant of a square matrix, minor, co-factor of an element of a 3x3 square matrix with examples. Expand the determinant of a 3 x 3 matrix using Laplace expansion formula. State and apply the properties of determinants to solve problems.

1.14 Distinguish singular and non-singular matrices. Define multiplicative inverse of a matrix and list properties of adjoint and inverse. Compute adjoint and multiplicative inverse of a square matrix.

1.15 Solve system of 3 linear equations in 3 unknowns using Cramer's rule and matrix inversion method.

UNIT - II

C.O.2 Solve problems using the concept of trigonometric functions, their inverses and complex numbers.

L.O. 2.1 Define trigonometric ratios of any angle.

2.2 List the values of trigonometric ratios at specified values.

2.3 Draw graphs of trigonometric functions.

2.4 Explain periodicity of trigonometric functions.

2.5 Define compound angles and state the formulae of $\sin(A \pm B)$, $\cos(A \pm B)$, $\tan(A \pm B)$ and $\cot(A \pm B)$.

2.6 Give simple examples on compound angles to derive the values of $\sin 15^\circ$, $\cos 15^\circ$, $\sin 75^\circ$, $\cos 75^\circ$, $\tan 15^\circ$, $\tan 75^\circ$ etc.

2.7 Derive identities like $\sin(A+B) \sin(A-B) = \sin^2 A - \sin^2 B$ etc.

2.8 Solve simple problems on compound angles.

2.9 Derive the formulae of multiple angles $2A$, $3A$ etc and sub multiple angles $A/2$ in terms of angle A of trigonometric functions.

2.10 Derive useful allied formulas like $\sin^2 A = (1 - \cos 2A)/2$ etc.

2.11 Solve simple problems using the above formulae

Syllabus for Unit test-I completed

2.12 Derive the formulae on transforming sum or difference of two

trigonometric ratios into a product and vice versa, examples on these formulae.

2.13 Solve problems by applying these formulae to sum or difference or product of three or more terms.

- 2.14 Explain the concept of the inverse of a trigonometric function by selecting an appropriate domain and range.
- 2.15 Define inverses of six trigonometric functions along with their domains and ranges.
- 2.16 Derive relations between inverse trigonometric functions so that given $A = \sin^{-1}x$, express angle A in terms of other inverse trigonometric functions with examples.
- 2.17 State various properties of inverse trigonometric functions and identities like $\sin^{-1}x + \cos^{-1}x = \frac{\pi}{2}$ etc.
- 2.18 Apply formulae like $\tan^{-1}x + \tan^{-1}y = \tan^{-1}\left(\frac{x+y}{1-xy}\right)$, where $x \geq 0, y \geq 0, xy < 1$ etc., to solve Simple problems.
- 2.19 Explain what is meant by solutions of trigonometric equations and find the general solutions of $\sin x = k, \cos x = k$ and $\tan x = k$ with appropriate examples.
- 2.20 Solve models of the type $a \sin^2 x + b \sin x + c = 0, a \cos x + b \sin x = c$ etc., and problems using simple transformations.
- 2.21 State sine rule, cosine rule, tangent rule and projection rule.
- 2.22 Explain the formulae for $\sin A/2, \cos A/2, \tan A/2$ and $\cot A/2$ in terms of semi-perimeter s and sides a, b, c and solve problems.
- 2.23 List various formulae for the area of a triangle.
- 2.24 Solve problems using the above formulae.
- 2.25 Define Sinh x , cosh x and tanh x and list the hyperbolic identities.
- 2.26 Represent inverse hyperbolic functions in terms of logarithms.
- 2.27 Define complex number, its modulus, conjugate and list their properties.
- 2.28 Define the operations on complex numbers with examples.
- 2.29 Define amplitude of a complex number.
- 2.30 Represent the complex number in various forms like modulus-amplitude (polar) form, Exponential (Euler) form with examples.
- 2.31 Write DeMoivre's theorem (without proof) and illustrate with simple examples.

UNIT - III

Coordinate Geometry

C.O. 3 Find the equations and properties of straight lines, circles and conic sections in coordinate system.

- L.O.** 3.1 Write the different forms of a straight line – general form, point-slope form, slope-intercept form, two-point form, intercept form and normal form or perpendicular form.
- 3.2 Solve simple problems on the above forms.
- 3.3 Find distance of a point from a line, acute angle between two lines, intersection of two non-parallel lines and distance between two parallel lines.
- 3.4 Define locus of a point and define a circle.
- 3.5 Write the general equation of a circle and find the centre and radius.
- 3.6 Find the equation of a circle given (i) centre and radius, (ii) two ends of a diameter (iii) Centre and a point on the circumference (iv) three non collinear points.

- 3.7. Define a conic section.
- 3.8 Explain the terms focus, directrix, eccentricity, axes and latus rectum of a conic with illustrations.
- 3.9 Find the equation of a conic when focus, directrix and eccentricity are given.
- 3.10 Describe the properties of Parabola, Ellipse and Hyperbola in standard forms whose axes are along co-ordinate axes and solve simple examples on above.

Syllabus for Unit test-II completed

C.O.4 Evaluate the limits and derivatives of various functions.

L.O. 4.1 Explain the concept of limit and meaning of $\lim_{x \rightarrow a} f(x) = l$ and state the properties of limits.

4.2 Evaluate the limits of the type $\lim_{x \rightarrow l} \frac{f(x)}{g(x)}$ and $\lim_{x \rightarrow \infty} \frac{f(x)}{g(x)}$

4.3 Mention the Standard limits $\lim_{x \rightarrow a} \frac{x^n - a^n}{x - a}$, $\lim_{x \rightarrow 0} \frac{\sin x}{x}$, $\lim_{x \rightarrow 0} \frac{\tan x}{x}$, $\lim_{x \rightarrow 0} \frac{a^x - 1}{x}$,

$\lim_{x \rightarrow 0} \frac{e^x - 1}{x}$, $\lim_{x \rightarrow 0} (1 + x)^{\frac{1}{x}}$, $\lim_{x \rightarrow \infty} \left(1 + \frac{1}{x}\right)^x$ (without proof) and solve the problems

using these standard limits.

- 4.4 Explain the concept of continuity of a function at a point and on an interval with some examples whether a given function is continuous or not.
- 4.5 State the concept of derivative of a function $y = f(x)$ – definition, first principle as $\lim_{h \rightarrow 0} \frac{f(x+h) - f(x)}{h}$ and also provide standard notations to denote the derivative of a function.
- 4.6 State the significance of derivative in scientific and engineering applications.
- 4.7 Find the derivatives of elementary functions like x^n , a^x , e^x , $\log x$, $\sin x$, $\cos x$, $\tan x$, $\sec x$, $\csc x$ and $\cot x$ using the first principles.
- 4.8 Find the derivatives of simple functions from the first principle .
- 4.9 State the rules of differentiation of sum, difference, scalar multiplication, product and quotient of functions with illustrative and simple examples.
- 4.10 Explain the method of differentiation of a function of a function (Chain rule) with illustrative examples.
- 4.11 Find the derivatives of Inverse Trigonometric functions and examples using the Trigonometric transformations.
- 4.12 Explain the method of differentiation of a function with respect to another function and also differentiation of parametric functions with examples.
- 4.13 Find the derivatives of hyperbolic functions.
- 4.14 Explain the procedures for finding the derivatives of implicit function with examples.
- 4.15 Explain the need of taking logarithms for differentiating some functions with examples like $[f(x)]^{g(x)}$.
- 4.16 Explain the concept of finding the higher order derivatives of second and third order with examples.

- 4.17 Explain the concept of functions of several variables, partial derivatives and difference between the ordinary and partial derivatives with simple examples.
- 4.18 Explain the definition of Homogenous function of degree n.
- 4.19 Explain Euler's theorem for homogeneous functions with applications to simple problems.

C.O. 5 Evaluate solutions for engineering problems using differentiation.

- L.O.** 5.1 State the geometrical meaning of the derivative as the slope of the tangent to the curve $y=f(x)$ at any point on the curve.
- 5.2 Explain the concept of derivative to find the slope of tangent and to find the equation of tangent and normal to the curve $y=f(x)$ at any point on it.
- 5.3 Find the lengths of tangent, normal, sub-tangent and sub normal at any point on the curve $y=f(x)$.
- 5.4 Explain the derivative as a rate of change in distance-time relations to find the velocity and acceleration of a moving particle with examples.
- 5.5 Explain the derivative as a rate measurer in the problems where the quantities like volumes, areas vary with respect to time- illustrative examples.
- 5.6 Define the concept of increasing and decreasing functions.
- 5.7 Explain the conditions to find points where the given function is increasing or decreasing with illustrative examples.
- 5.8 Explain the procedure to find the extreme values (maxima or minima) of a function of single variable- simple problems yielding maxima and minima.
- 5.9 Solve problems on maxima and minima in applications like finding areas, volumes etc.
- 5.10 Apply the concept of derivatives to find the errors and approximations in simple problems.

Syllabus for Unit test-III completed

CO/PO – Mapping

	PO1	PO2	PO3	PO4	PO5	PO6	PO7	PSO1	PSO2	PSO3
CO1	3	2	1	2				3	2	3
CO2	3	3	3	2				3	3	1
CO3	3	2	2	1				3	2	2
CO4	3	3	2	2				3	2	1
CO5	3	3	3	3				3	3	3
Avg	3	2.6	2.5	2				3	2.4	2

3 = Strongly mapped (High), **2** =moderately mapped (Medium), **1** =slightly mapped (Low)

Note:

- PO5:** Appropriate quiz programme may be conducted at intervals and duration as decided by concerned teacher.
- PO6:** Seminars on applications of mathematics in various engineering disciplines are to be planned and conducted.
- PO7:** Such activities are to be planned that students visit library to refer standard books on Mathematics and latest updates in reputed national and international journals, attending seminars, learning mathematical software tools.
- PSO1:** An ability to understand the concepts of basic mathematical concepts and to apply them in various areas like computer programming, civil constructions, fluid dynamics, electrical and electronic systems and all concerned engineering disciplines.
- PSO2:** An ability to solve the Engineering problems using latest software tool, along with analytical skills to arrive at faster and appropriate solutions.
- PSO3:** Wisdom of social and environmental awareness along with ethical responsibility to have a successful career as an engineer and to sustain passion and zeal for real world technological applications.

PO- CO – Mapping strength

PO no	Mapped with CO no	CO periods addressing PO in column I		Level (1,2 or 3)	Remarks
		No	%		
1	CO1, CO2, CO3,CO4,CO5	150	100%	3	>40% Level 3 Highly addressed
2	CO1, CO2, CO3,CO4,CO5	138	92%	3	
3	CO1, CO2, CO3,CO4,CO5	133	88.6%	3	
4	CO1, CO2, CO3,CO4,CO5	120	80%	3	
PSO 1	CO1, CO2, CO3,CO4,CO5	150	100%	3	25% to 40% Level 2 Moderately addressed
PSO 2	CO1, CO2, CO3,CO4,CO5	135	90%	3	
PSO 3	CO1, CO2, CO3,CO4,CO5	125	83.3%	3	
					<5% Not addressed

COMMON TO ALL BRANCHES
COURSE CONTENT

Unit-I

Algebra

1. Relations and Functions:

Define Set, Ordered pairs, Cartesian product, Relations, functions, domain & range of functions. Describe types of functions (in-to, many-to-one, one-one, onto and bijective) and inverse functions – examples.

2. Partial Fractions:

Define rational, proper and improper fractions of polynomials. Resolve rational fractions in to their partial fractions covering the types mentioned below.

$$\begin{array}{ll} \text{i)} & \frac{f(x)}{(ax+b)(cx+d)} \quad \text{ii)} & \frac{f(x)}{(ax+b)^2(cx+d)} \\ \text{iii)} & \frac{f(x)}{(x^2+a^2)(bx+c)} \quad \text{iv)} & \frac{f(x)}{(x^2+a^2)(x^2+b^2)} \end{array}$$

3. Matrices:

Definition of a matrix, types of matrices-examples, algebra of matrices-equality of two matrices, sum, scalar multiplication and product of matrices. Transpose of a matrix-Symmetric, skew symmetric matrices-Minor, cofactor of an element-Determinant of a square matrix-Laplace's expansion, properties of determinants. Singular and non-singular matrices-Adjoint and multiplicative inverse of a square matrix- examples-System of linear equations in 3 variables-Solutions by Cramers's rule and Matrix inversion method-examples.

Unit-II

Trigonometry

4. Trigonometric ratios:

Definition of trigonometric ratios of any angle, values of trigonometric ratios at specified values, draw graphs of trigonometric functions, periodicity of trigonometric functions.

5. Compound angles:

Formulas of $\sin(A\pm B)$, $\cos(A\pm B)$, $\tan(A\pm B)$, $\cot(A\pm B)$, and related identities with problems.

6. Multiple and sub multiple angles:

Formulae for trigonometric ratios of multiple angles $2A$, $3A$ and sub multiple angles $A/2$ with problems.

7. Transformations of products into sums or differences and vice versa simple problems

8. Inverse trigonometric functions:

Definition, domains and ranges-basic properties- problems.

9. Trigonometric equations:

Concept of a solution, principal value and general solution of trigonometric equations: $\sin x = k$, $\cos x = k$, $\tan x = k$, where k is a constant. Solutions of simple quadratic equations, equations involving usage of transformations- problems.

10. Properties of triangles:

Relation between sides and angles of a triangle- sine rule, cosine rule, tangent rule and projection rule-area of a triangle- problems.

11. Hyperbolic functions:

Definitions of hyperbolic functions, identities of hyperbolic functions, inverse hyperbolic functions and expression of inverse hyperbolic functions in terms of logarithms.

12. Complex Numbers:

Definition of a complex number, Modulus and conjugate of a complex number, Arithmetic operations on complex numbers, Modulus- Amplitude (polar) form, Exponential form (Euler form) of a complex number- Problems. DeMoivre's theorem.

UNIT-III

Coordinate geometry

13 Straight lines: various forms of straight lines, angle between lines, perpendicular distance from a point, distance between parallel lines-examples.

14. Circle: locus of a point, Circle, definition-Circle equation given (i) centre and radius, (ii) two ends of a diameter (iii) centre and a point on the circumference (iv) three non collinear points - general equation of a circle – finding centre, radius.

15. Definition of a conic section, equation of a conic when focus directrix and eccentricity are given. properties of parabola, ellipse and hyperbola in standard forms.

UNIT-IV

Differential Calculus

16. Concept of Limit- Definition- Properties of Limits and Standard Limits -Simple Problems- Continuity of a function at a point- Simple Examples only.

17. Concept of derivative- Definition (first principle)- different notations-derivatives of elementary functions- problems. Derivatives of sum, product, quotient, scalar multiplication of functions - problems. Chain rule, derivatives of inverse trigonometric functions, derivative of a function with respect to another function, derivative of parametric functions, derivative of hyperbolic, implicit functions, logarithmic differentiation – problems in each case. Higher order derivatives - examples – functions of several variables - partial differentiation, Euler's theorem-simple problems.

UNIT-V

Applications of Derivatives

18. Geometrical meaning of the derivative, equations of Tangent and normal to a curve at any point. Lengths of tangent, normal, sub tangent and subnormal to the curve at any point - problems.

19. Physical applications of the derivative – velocity, acceleration, derivative as a rate measure –Problems.

20. Applications of the derivative to find the extreme values – Increasing and decreasing functions, finding the maxima and minima of simple functions - problems leading to applications of maxima and minima.

21. Using the concept of derivative of a function of single variable, find the absolute error, relative and percentage errors and approximate values due to errors in measuring.

Textbook:

Engineering Mathematics-I, a textbook for first year diploma courses, prepared & prescribed by SBTET, AP.

Reference Books:

1. Shanti Narayan, A Textbook of matrices, S.Chand &Co.
2. Robert E. Moyer & Frank Ayers Jr., Schaum's Outline of Trigonometry, 4th Edition, Schaum's Series
3. M.Vygodsky, Mathematical Handbook, Mir Publishers, Moscow.
4. Frank Ayers & Elliott Mendelson, Schaum's Outline of Calculus, Schaum's Series

**Engineering Mathematics – I
Blue print**

S. No	Chapter/ Unit title	No of Periods		Weightage Allotted	Marks wise distribution of weight age				Question wise distribution of weight age				COs mapped
		Theory	Practice		R	U	Ap	An	R	U	Ap	An	
	Unit - I : Algebra												
1	Relations and Functions	4	2	3	0	3	0	0	0	1	0	0	CO 1
2	Partial Fractions	3	2	3	0	3	0	0	0	1	0	0	CO 1
3	Matrices and Determinants	10	10	11	3	0	8	0	1	0	1	0	CO 1
	Unit - II : Trigonometry												
4	Trigonometric Ratios	1	1	0	0	0	0	0	0	0	0	0	CO2
5	Compound Angles	3	2	3	3	0	0	0	1	0	0	0	CO2
6	Multiple and Submultiple angles	4	4	3	0	3	0	0	0	1	0	0	CO2
7	Transformations	3	3	8	0	8	0	0	0	1	0	0	CO2
8	Inverse Trigonometric Functions	3	2										
9	Trigonometric Equations	3	2	8	0	0	8	0	0	0	1	0	CO2
10	Properties of triangles	3	2										
11	Hyperbolic Functions	1	1	0	0	0	0	0	0	0	0	0	CO2

12	Complex Numbers	4	2	3	3	0	0	0	1	0	0	0	CO2
Unit III : Co-ordinate Geometry													
13	Straight Lines	4	2	3	3	0	0	0	1	0	0	0	CO3
14	Circle	3	2	8	0	8	0	0	0	1	0	0	CO3
15	Conic Sections	8	4										
Unit – IV : Differential Calculus													
16	Limits and Continuity	4	2	3	0	3	0	0	0	1	0	0	CO4
17	Differentiation	17	10	14	3	11	0	0	1	2	0	0	CO4
Unit - V : Applications of Differentiation													
18	Geometrical Applications	3	2	10	0	0	0	10	0	0	0	1	CO5
19	Physical Applications	2	2										
20	Maxima and Minima	3	4										
21	Errors and Approximations	2	1										
Total		89	61	80	15	39	16	10	5	8	2	1	

R: Remembering Type : 15 Marks
U: understanding Type : 39 Marks
Ap: Application Type : 16 Marks
An: Analysing Type : 10 Marks

Engineering Mathematics – I Unit Test Syllabus

Unit Test	Syllabus
Unit Test-I	From L.O. 1.1 to L.O. 2.11
Unit Test-II	From L.O. 2.12 to L.O. 3.10
Unit Test-III	From L.O.4.1 to L.O. 5.10

State Board of Technical Education and Training, A. P

First Year

Subject name: Engineering Mathematics-I

Sub Code: CM-102

Time : 90 minutes

Max.marks:40

Part-A

16Marks

Instructions: (1) Answer all questions.

(2) First question carries four marks and the remaining questions carry three marks each.

1. Answer the following.

a. If $f(x) = x^2$ and domain = $\{-1, 0, 1\}$, then find range. (CO1)b. If $A = \begin{bmatrix} 1 & 2 \\ 3 & 4 \end{bmatrix}$, then find $3A$. (CO1)c. Write the value of $\sin 120^\circ$ (CO2)d. Write the formula for $\tan 2A$ in terms of $\tan A$ (CO2)2. If $f : R \rightarrow R$ is defined by $f(x) = 3x - 5$, then prove that $f(x)$ is onto. (CO1)3. If $A = \begin{bmatrix} 1 & 3 \\ 4 & -9 \end{bmatrix}$, $B = \begin{bmatrix} 2 & 4 \\ -3 & 1 \end{bmatrix}$ then find $2A + 3B$ (CO1)4. Prove that $\sin^2 45^\circ - \sin^2 15^\circ = \frac{\sqrt{3}}{4}$ (CO2)5. Prove that $\frac{\sin 2A}{1 - \cos 2A} = \cot A$ (CO2)

Part-B

3×8=24

Instructions: (1) Answer all questions.

(2) Each question carries eight marks

(3) Answer should be comprehensive and the criterion for valuation is the content but not the length of the answer.

6. A) Resolve $\frac{2x}{(x-1)(x-3)}$ into partial fractions. (CO1)

or

B) Resolve $\frac{x+4}{x^2-3x+2}$ into partial fractions. (CO1)

7. A) Using Cramer's rule to solve
 $x - y + z = 2, 2x + 3y - 4z = -4, 3x + y + z = 8$ **(CO1)**
 or

B) Prove that $\begin{vmatrix} bc & b+c & 1 \\ ca & c+a & 1 \\ ab & a+b & 1 \end{vmatrix} = (a-b)(b-c)(c-a)$ **(CO1)**

8. A) Find the adjoint of Matrix $\begin{bmatrix} 1 & 2 & -2 \\ -1 & 3 & 5 \\ 2 & 7 & -4 \end{bmatrix}$ **(CO1)**

or

B) If $A = \begin{bmatrix} 2 & 3 & 4 \\ 5 & 7 & 9 \\ -2 & 1 & 3 \end{bmatrix}$, $B = \begin{bmatrix} 3 & 1 & -5 \\ 2 & 1 & 4 \\ 0 & 3 & 1 \end{bmatrix}$, find AB and BA and verify if $AB = BA$.

(CO1)

-o0o-

Unit Test II
 State Board of Technical Education and Training, A. P
First Year
 Subject name: **Engineering Mathematics-I**
 Sub Code: **CM- 102**

C –20, CM -102

Time : 90 minutes

Max.marks:40

Part-A

16Marks

Instructions: (1) Answer all questions.
 (2) First question carries four marks and the remaining questions carry three marks each

1. Answer the following.

a. $\sin C + \sin D = 2 \cos \left(\frac{C+D}{2} \right) \sin \left(\frac{C-D}{2} \right)$: State TRUE/FALSE (CO2)

b. If $z = 2 + 3i$, then find $|z|$ (CO2)

c. $\sinh x = \frac{e^x - e^{-x}}{2}$: State TRUE/FALSE (CO2)

d. Write the eccentricity of rectangular hyperbola. (CO3)

2. Express $(3 - 4i)(7 + 2i)$ in terms of $a + ib$ (CO2)

3. Find the perpendicular distance from (1,1) to the line $2x + 3y - 1 = 0$ (CO3)

4. Find the angle between lines $2x - y + 3 = 0$ and $x + y - 2 = 0$ (CO3)

5. Find the centre and radius of the circle $x^2 + y^2 - 2x + 4y - 4 = 0$ (CO3)

Part-B

3×8=24

Instructions: (1) Answer all questions.
 (2) Each question carries eight marks
 (3) Answer should be comprehensive and the criterion for valuation is the content but not the length of the answer.

6. A) Prove that $\frac{\sin 2\theta + \sin 4\theta + \sin 6\theta}{\cos 2\theta + \cos 4\theta + \cos 6\theta} = \tan 4\theta$. (CO2)

or

B) Prove that $\tan^{-1} \frac{1}{2} + \tan^{-1} \frac{1}{5} + \tan^{-1} \frac{1}{8} = \frac{\pi}{4}$ (CO2)

7. A) Solve $2\sin^2 \theta - \sin \theta - 1 = 0$ (CO2)

or

B) In any $\triangle ABC$, If $\angle B = 60^\circ$ then $\frac{c}{a+b} + \frac{a}{b+c} = 1$ (CO2)

8. A) Find the equation of circle with $(2, 3)$ and $(6, 9)$ as the end points of diameter and also find centre and radius of circle.

(CO3)

or

- B) Find the equation of ellipse whose focus is $(1, -1)$, directrix is $x - y + 3 = 0$ and eccentricity is $1/2$.

(CO3)

-o0o-

State Board of Technical Education and Training, A. P

First Year

Subject name: **Engineering Mathematics-I**Sub Code: **CM-102**

Time : 90 minutes

Max.marks:40

Part-A**16Marks**

Instructions: (1) Answer all questions.
 (2) First question carries four marks and the remaining questions carry three marks each

1. Answer the following.

a. Find $\lim_{x \rightarrow 1} \frac{x^2 + 1}{x + 5}$ (CO4)

b. $\lim_{\theta \rightarrow 0} \frac{\sin 2\theta}{\theta} = 2$: State TRUE/FALSE (CO4)

c. $\frac{d}{dx}(3 \tan^{-1} x) = ?$ (CO4)

d. Formula for percentage error in x is _____ (CO5)

2. Evaluate $\lim_{x \rightarrow 2} \frac{x^5 - 32}{x^2 - 4}$ (CO4)

3. Find the derivative of $3 \tan x - 4 \log x + 7^x$ w.r.t. x (CO4)4. Differentiate $x^2 \sin x$ w.r.t. x (CO4)5. Find the derivative of $\frac{2x+3}{3x+4}$ (CO4)**Part-B****3×8=24**

Instructions: (1) Answer all questions.
 (2) Each question carries eight marks
 (3) Answer should be comprehensive and the criterion for valuation is the content but not the length of the answer.

6. A) Find the derivative of $\sin^{-1}\left(\frac{2x}{1+x^2}\right)$ w.r.t. $\tan^{-1}\left(\frac{2x}{1-x^2}\right)$. (CO4)

or

B) Find $\frac{dy}{dx}$ if $y = x^{\cos x}$ (CO4)7. A) Verify Euler's theorem when $u(x, y) = \frac{x^4 + y^4}{x - y}$ (CO4)

or

B) Find the equation of tangent and normal to the curve $3y = x^2 - 6x + 17$ at (4, 3)

(CO5)

8. A) Circular patch of oil spreads on water and the area is growing at the rate of 8 sqcm/min . How fast is the radius increasing when radius is 5 cm . **(CO5)**

or

- B) Find the maxima and minima values of $f(x) = x^3 - 6x^2 + 9x + 15$. **(CO5)**

-o0o-

END-EXAM MODEL PAPERS

**STATE BOARD OF TECHNICAL EDUCATION, A.P
ENGINEERING MATHEMATICS C- 102**

TIME : 3 HOURS

MODEL PAPER-I

MAX.MARKS : 80M

PART-A

Answer All questions. Each question carries THREE marks.

10x3=30M

1. If $A = \left\{0, \frac{\pi}{6}, \frac{\pi}{4}, \frac{\pi}{3}, \frac{\pi}{2}\right\}$ and $f : A \rightarrow B$ is a function such that $f(x) = \cos x$, then find the range of f . **(CO 1)**
2. Resolve the function $\frac{x}{(x-1)(x-2)}$ into partial fractions. **(CO 1)**
3. If $A = \begin{bmatrix} 3 & 9 & 0 \\ 1 & 8 & -2 \end{bmatrix}$ and $B = \begin{bmatrix} 4 & 0 & 2 \\ 7 & 1 & 4 \end{bmatrix}$, find $A+B$ and $A-B$. **(CO 1)**
4. Show that $\frac{\cos 16^\circ + \sin 16^\circ}{\cos 16^\circ - \sin 16^\circ} = \tan 61^\circ$. **(CO2)**
5. Prove that $\frac{\sin 2\theta}{1 - \cos 2\theta} = \cot \theta$. **(CO2)**
6. Find the modulus of the complex number $\left(\frac{1-i}{2+i}\right)$. **(CO2)**
7. Find the distance between parallel lines $x+2y+3=0$ and $x+2y+8=0$. **(CO3)**
8. Find $\lim_{x \rightarrow 0} \frac{\sin 77x}{\sin 11x}$. **(CO4)**
9. Differentiate $3 \tan x - 4 \log x - 7x^2$ w.r.t. x . **(CO4)**
10. If $x = at^2$, $y = 2at$, then find $\frac{dy}{dx}$. **(CO4)**

PART-B

Answer All questions. Each question carries EIGHT marks.

5x8=40M

- 11 A) Find the inverse of the matrix $\begin{bmatrix} 3 & -3 & 4 \\ 2 & -3 & 4 \\ 0 & -1 & 1 \end{bmatrix}$. **(CO 1)**

Or

- B) Solve the system of equations $x + y + z = 6$, $x - y + z = 2$ and $2x - y + 3z = 9$ by Cramer's rule. **(CO 1)**

- 12 A) If $\cos x + \cos y = \frac{3}{5}$ and $\cos x - \cos y = \frac{2}{7}$, then show that

$$21 \tan\left(\frac{x-y}{2}\right) + 10 \cot\left(\frac{x+y}{2}\right) = 0. \quad \text{(CO2)}$$

Or

- B) If $\tan^{-1} x + \tan^{-1} y + \tan^{-1} z = \pi$ then show that $x + y + z = xyz$.

(CO2)

13 A) Solve $\sqrt{3}\cos\theta - \sin\theta = 1$.
(CO2)

Or

B) In any ΔABC , Show that $\cot\frac{A}{2} + \cot\frac{B}{2} + \cot\frac{C}{2} = \frac{s^2}{\Delta}$. (CO2)

14 A) Find the equation of the circle with $(4, 2)$ and $(1, 5)$ as the two ends of its diameter and also find its centre and radius.

(CO3)

Or

B) Find the centre, vertices, equation of axes, lengths of axes, eccentricity, foci, equations of directrices and length of latus rectum of the ellipse $4x^2 + 16y^2 = 1$. CO 3

15 A) Find the derivative of $\sin^{-1}\left(\frac{2x}{1+x^2}\right)$ w.r.t. $\tan^{-1}\left(\frac{2x}{1-x^2}\right)$ (CO4)

Or

B) If $u = \tan^{-1}\left(\frac{x^3 - y^3}{x + y}\right)$, then prove that $x\frac{\partial u}{\partial x} + y\frac{\partial u}{\partial y} = \sin 2u$. (CO4)

PART-C

Answer the following question. Question carries TEN marks.

1x10=10M

16. The sum of two numbers is 24. Find them so that the sum of their squares is minimum.

(CO5)

STATE BOARD OF TECHNICAL EDUCATION, A.P
ENGINEERING MATHEMATICS C- 102

TIME : 3 HOURS

MODEL PAPER- II

MAX.MARKS : 80M

PART-A

Answer All questions. Each question carries THREE marks.

10x3=30M

1. If $f : R \rightarrow R$ is a bijective function such that $f(x) = ax + b$, then find $f^{-1}(x)$. **CO 1**

2. Resolve the function $\frac{1}{(x+1)(x-2)}$ into partial fractions.

CO 1

3. If $A = \begin{bmatrix} 0 & -1 & 3 \\ 1 & 0 & 7 \\ -3 & x & 0 \end{bmatrix}$ is a skew-symmetric matrix, find the value of x . **CO 1**

4. Find the value of $\sin^2 82\frac{1}{2} - \sin^2 22\frac{1}{2}$. **CO2**

5. Prove that $\frac{\cos 3A}{2\cos 2A - 1} = \cos A$.

CO2

6. Find the conjugate of the complex number $(3-2i).(4+7i)$ **CO2**

7. Find the equation of the line passing through the points $(1,2)$ and $(3,-4)$. **CO3**

8. Find $\lim_{x \rightarrow 2} \frac{x^5 - 32}{x - 2}$.

CO4

9. Differentiate $\sqrt{x} - \sec x + \log x$ w.r.t. x . **CO4**

10. If $u(x, y) = x^3 - 3axy + y^3$, then find $\frac{\partial u}{\partial x}$ and $\frac{\partial u}{\partial y}$. **CO4**

PART-B

Answer All questions. Each question carries EIGHT marks. 5x8=40M

11 A) Show that $\begin{vmatrix} 1 & 1 & 1 \\ a & b & c \\ a^2 & b^2 & c^2 \end{vmatrix} = (a-b)(b-c)(c-a)$. **CO1**

Or

B) Solve the system of equations $x + 2y + 3z = 6, 3x - 2y + 4z = 5$ and $x - y - z = -1$ using matrix inversion method. **CO1**

12 A) Prove that $\frac{\sin 2\theta + \sin 4\theta + \sin 6\theta}{\cos 2\theta + \cos 4\theta + \cos 6\theta} = \tan 4\theta$. **CO2**

Or

B) Prove that $\tan^{-1} \frac{1}{3} + \tan^{-1} \frac{1}{5} + \tan^{-1} \frac{1}{7} + \tan^{-1} \frac{1}{8} = \frac{\pi}{4}$. **CO2**

13 A) Solve $2\cos^2 \theta - 3\cos \theta + 1 = 0$. **CO2**

Or

B) In any ΔABC , Show that $\sum a^3 \cos(B-C) = 3abc$. **CO2**

14 A) Find the equation of the circle passing through the points $(0,0)$, $(6,0)$ and $(0,8)$. **CO3**

Or

B) Find the equation of the rectangular hyperbola whose focus is $(1,2)$ and directrix is $3x+4y-5=0$. **CO3**

15 A) If $\sin y = x \sin(a+y)$, then prove that $\frac{dy}{dx} = \frac{\sin^2(a+y)}{\sin a}$. **CO4**

Or

B) If $y = \tan^{-1} x$, then prove that $(1+x^2)y_2 + 2xy_1 = 0$. **CO4**

PART-C

Answer the following question. Question carries TEN marks. 1x10=10M

16 Show that the semi-vertical angle of the cone of maximum volume and of given slant height is $\tan^{-1} \sqrt{2}$. **CO4**

Course code	Course Title	No. of Periods per week	Total No. of Periods	Marks for FA	Marks for SA
CM-103	Engineering Physics	4	120	20	80

S. No	Unit Title/Chapter	No of Periods	COs Mapped
1	Units and Dimensions	08	CO1
2	Elements of Vectors	12	CO1
3	Dynamics	12	CO2
4	Friction	10	CO2
5	Work, Power and Energy	12	CO3
6	Simple harmonic motion	12	CO3
7	Heat and Thermodynamics	12	CO4
8	Sound	10	CO4
9	Properties of matter	10	CO5
10	Electricity and Magnetism	12	CO5
11	Modern physics	10	CO5
Total		120	

Course Title: Engineering Physics	
Course Objectives	<ol style="list-style-type: none"> 1. To familiarize with the concepts of Physics involved in the process of various Engineering, Industrial and Daily life Applications. 2. To understand and apply the basic principles of physics in the field of engineering and technology to familiarize certain natural phenomenon occurring in the day to day life 3. To reinforce theoretical concepts by conducting relevant experiments/exercises

Course Outcomes	CO1	Explain S.I units and dimensions of different physical quantities, basic operations among vector quantities.
	CO2	Explain the motion of objects moving in one dimension and two dimensions, the causes of motion and hindrance to the motion of the objects especially with respect to friction.
	CO3	Explain the mechanical energy of bodies like PE, KE and conservation law of energy, the properties of simple harmonic motion.
	CO4	Explain gas laws, ideal gas equation, Isothermal and adiabatic processes, Specific heats, to study the laws of thermodynamics. Causes, consequences and methods to minimise noise pollution, explain beats, Doppler effect, Reverberation, echoes.
	CO5	Explain certain properties of solids, liquids like elastic properties, viscosity and surface tension. Explain Ohm's law, to study Kirchoff's laws, to study the principle of Wheatstone's bridge and its application to meter bridge. To study the magnetic force and understand magnetic field. To compute magnetic field strength on axial and equatorial lines of a bar magnet. To familiarise with modern topics like photoelectric effect, optical fibres, superconductivity and nanotechnology.

COS, POS, PSOS MAPPING

➤ POs mapping strength (as per given table)

	PO1	PO2	PO3	PO4	PO5	PO6	PO7	PSO1	PSO2	PSO3
CO1	3					1		1	1	1
CO2	3		2					1	1	
CO3	3		2					1		
CO4	3	2			2				2	2
CO5	3			2			2	1	1	

3 = strongly mapped 2= moderately mapped 1= slightly mapped

Note:The gaps in CO and PO mapping will be achieved by one or more appropriate activities from the following:i) Seminars ii) Tutorials iii) Guest lectures iv) Assignments v) Quiz competitions vi) Industrial visits vii) Tech Fest viii) Mini project ix) Group discussion x) Virtual classes xi) Library visit for e-books

Learning Outcomes

1.0 Concept of Units and dimensions

- 1.1 Explain the concept of Units, Physical quantity, Fundamental physical quantities and Derived physical quantities
- 1.2 Define unit, fundamental units and derived units, State SI units with symbols
- 1.3 State Multiples and submultiples in SI system, State Rules of writing S.I. units, State advantages of SI units
- 1.4 Define Dimensions, Write Dimensional formulae of physical quantities
- 1.5 List dimensional constants and dimensionless quantities
- 1.6 State the principle of homogeneity of dimensions
- 1.7 State the applications and limitations of dimensional analysis
- 1.8 Errors in measurement, Absolute error, relative error, percentage error, significant figures
- 1.9 Solve problems

2.0 Concept of Elements of Vectors

- 2.1 Explain the concept of scalars, Vectors and give examples
- 2.2 Represent vectors graphically, Classify the Vectors, Resolve the vectors
- 2.3 Determine the resultant of a vector by component method, represent a vector in Space using unit vectors (i, j, k)
- 2.4 State and explain triangle law, parallelogram law, and polygon law of addition of Vectors
- 2.5 Define Dot product of two vectors with examples (Work done, Power), mention the Properties of dot product
- 2.6 Define cross product of two vectors with examples (Torque, Linear velocity) Mention the properties of Cross product.
- 2.7 Solve the related numerical problems

3.0 Concept of Dynamics

- 3.1 Write the equations of motion in a straight line. Explain the acceleration due to Gravity.
- 3.2 Explain vertical motion of a body and derive expressions for a) Maximum Height, b) Time of ascent, c) time of descent, and d) time of flight
- 3.3 Derive height of a tower when a body projected vertically upwards from the top of a tower.
- 3.4 Explain projectile motion with examples
- 3.5 Explain horizontal projection and derive an expression for the path of a projectile in horizontal projection
- 3.6 Explain oblique projection and derive an expression for it. Derive formulae for a) Maximum Height b) time of ascent c) time of descent and d) time of flight e) Horizontal Range, f) Maximum range
- 3.7 Define force, momentum, angular displacement, angular velocity, angular acceleration, angular momentum, moment of inertia, torque
- 3.8 Solve the related numerical problems

4.0 Concept of Friction

- 4.1 Define friction and classify the types of friction.
- 4.2 Explain the concept of normal reaction.
- 4.3 State the laws of friction.
- 4.4 Define coefficients of friction, Angle of friction and angle of repose.
- 4.5 Derive expressions for acceleration of a body on a rough inclined plane. (Upwards and downwards)
- 4.6 List the advantages and disadvantages of friction.
- 4.7 Mention the methods of minimizing friction.
- 4.8 Explain why it is easy to pull a lawn roller than to push it.
- 4.9 Solve the related numerical problems.

5.0 Concepts of Work, Power, and Energy

- 5.1 Define the terms Work, Power and Energy. State SI units and dimensional Formulae.
- 5.2 Define potential energy and give examples, derive an expression for potential energy.
- 5.3 Define Kinetic energy and give examples, derive an expression for kinetic energy.
- 5.4 State and derive Work-Energy theorem.
- 5.5 Derive the relation between Kinetic energy and momentum.

5.6 State the law of conservation of energy and verify it in the case of a freely falling body.

5.7 Solve the related numerical problems.

6.0 Concepts of Simple harmonic motion

6.1 Define Simple harmonic motion, Give examples, state the conditions.

6.2 Explanation of uniform circular motion of a particle is a combination of two perpendicular S.H.M.s.

6.3 Derive expressions for displacement, velocity, acceleration, Frequency, Time period of a particle executing SHM.

6.4 Define phase of SHM.

6.5 Define Ideal simple pendulum and derive expression for time period of simple pendulum.

6.6 State the laws of motion of simple pendulum.

6.7 Solve the related numerical problems.

7.0 Concept of heat and thermodynamics

7.1 Explain the concept of expansion of gases

7.2 State and explain Boyle's and Charles laws.

7.3 Define absolute zero temperature, absolute scale of temperature

7.4 Define ideal gas and distinguish from real gas

7.5 Derive Ideal gas equation. Define specific gas constant and universal gas constant, write S.I unit and dimensional formula. Calculate the value of R.

7.6 Explain why universal gas constant is same for all gases

7.7 State and explain isothermal process and adiabatic process

7.8 State first and second laws of thermodynamics and state applications

7.9 Define specific heats and molar specific heats of a gas, Derive $C_p - C_v = R$

7.10 Solve the relevant numerical problems

8.0 Concept of Sound

8.1 Concept of the sound, Wave motion. (longitudinal and transverse wave)

8.2 Distinguish between musical sound and noise.

8.3 Explain noise pollution and state SI unit for intensity level of sound.

8.4 Explain causes, effects and methods of minimizing of noise pollution.

8.5 Explain the phenomenon of beats state the applications.

8.6 Define Doppler effect, list the applications.

8.7 Define reverberation and reverberation time and write Sabine's formula.

8.8 Define and explain echoes state its applications.

8.9 State conditions of good auditorium.

8.10 Solve the related numerical problems.

9.0 Concepts of properties of matter

9.1 Explain the terms elasticity, stress, strain and types of stress and strain.

9.2 State and explain Hooke's law.

9.3 Definitions of Modulus of elasticity, Young's modulus(Y), Bulk modulus (K), Rigidity modulus (n), Poisson's ratio (σ),

9.4 Define surface tension and give examples.

9.5 Explain Surface tension with reference to molecular theory.

9.6 Define angle of contact and capillarity and write formula for Surface Tension.

9.7 Explain the concept of viscosity, give examples, write Newton's formula.

- 9.8 Define co-efficient of viscosity and write its units and dimensional formula and State Poiseulle's equation for Co-efficient of viscosity.
- 9.9 Explain the effect of temperature on viscosity of liquids and gases.
- 9.10 Solve the related numerical problems.

10. Concepts of Electricity and Magnetism

- 10.1 Explain Ohm's law in electricity and write the formula.
- 10.2 Define specific resistance, conductance and state their units.
- 10.3 Explain Kichoff's laws.
- 10.4 Describe Wheatstone's bridge with legible sketch.
- 10.5 Describe Meter Bridge for the determination of resistivity with a circuit diagram.
- 10.6 Explain the concept of magnetism. State the Coulomb's inverse square law of Magnetism.
- 10.7 Define magnetic field and magnetic lines of force and write the properties of magnetic lines of force.
- 10.8 Derive an expression for the moment of couple on a bar magnet placed in a uniform magnetic field.
- 10.9 Derive equations for Magnetic induction field strength at a point on the axial line and on the equatorial line of a bar magnet.
- 10.10 Solve the related numerical problems

11.0 Concepts of modern physics

- 11.1 State and explain Photo-electric effect and Write Einstein's photo electric Equation.
- 11.2 State laws of photo electric effect.
- 11.3 Explain the Working of photo electric cell, write its applications.
- 11.4 Recapitulation of refraction of light and its laws, critical angle, total Internal Reflection.
- 11.5 Explain the principle and working of Optical fiber, mention different types of Optical fiber, state the applications.
- 11.6 Define super conductor and super conductivity and mention examples.
- 11.7 State the properties of super conducting materials and list the applications.
- 11.8 Nanotechnology definition, nano materials, applications.

COURSECONTENT

1. Units and Dimensions:

Introduction, Physical quantity, Fundamental and Derived quantities, Fundamental and Derived units, SI units, Multiples and Sub multiples, Rules for writing S.I. units, Advantages of SI units. Dimensions and Dimensional formulae, Dimensional constants and Dimensionless quantities, Principle of homogeneity, Advantages and limitations of dimensional analysis, Errors in measurement, Absolute error, relative error, percentage error, significant figures, Problems.

2. Elements of Vectors:

Scalars and Vectors, Types of vectors (Proper Vector, Null Vector, Unit Vector, Equal, Negative Vector, Like Vectors, Co-Initial Vectors, Co-planar Vectors and Position Vector). Addition of vectors, Representation of vectors, Resolution of vectors, Parallelogram, Triangle and Polygon laws of vectors, Subtraction of vectors, Dot and Cross products of vectors-Problems.

3. **Dynamics**
Introduction-Concept of acceleration due to gravity-Equations of motion for a freely falling body and for a body thrown up vertically- Projectiles- Horizontal and Oblique projections- Expressions for maximum height, time of flight, range-Define force, momentum, angular displacement, angular velocity, angular acceleration, angular momentum, moment of inertia, torque-problems.
4. **Friction:**
Introduction to friction- Causes- Types of friction- Laws of friction- Angle of repose-Angle of friction- rough inclined plane- Advantages and disadvantages of friction-Methods of reducing friction-Problems.
5. **Work, Power and Energy:**
Work, Power and Energy- Definitions and explanation- potential energy- kinetic energy- Derivations of Potential and Kinetic energies-K.E and Momentum relation - Work-Energy theorem- Law of Conservation of energy- Problems.
6. **Simple Harmonic Motion:**
Introduction- Conditions of SHM- Definition- Examples- Expressions for displacement, velocity, acceleration, Time period, frequency and phase in SHM- Time period of a simple pendulum- Laws of simple pendulum-seconds pendulum-Problems.
7. **Heat and Thermodynamics:**
Expansion of Gases, Boyle's law, absolute scale of temperature- Charles laws- Ideal gas equation- Universal gas constant- Differences between gas constant(r) and universal gas constant(R),Isothermal and adiabatic processes, Laws of thermodynamics, Specific heats - molar specific heats of a gas -Different modes of transmission of heat ,laws of thermal conductivity, Coefficient of thermal conductivity-Problems.
8. **Sound:**
Sound- Nature of sound- Types of wave motion -musical sound and noise- Noise pollution – Causes & effects- Methods of reducing noise pollution- Beats- Doppler effect- Echo- Reverberation-Reverberation time-Sabine 's formula-Conditions of good auditorium- Problems.
9. **Properties of matter**
Definition of Elasticity –Definition of stress and strain -the units and dimensional formulae for stress and strain-The Hooke's law-Definitions of Modulus of elasticity, Young's modulus(Y), Bulk modulus(K), Rigidity modulus (n),Poisson's ratio (σ), relation between Y , K , n and σ (equations only no derivation)
Definition of surface tension-Explanation of Surface tension with reference to molecular theory - Definition of angle of contact -Definition of capillarity -The formula for surface tension based on capillarity - Explanation of concept of Viscosity - Examples for surface tension and Viscosity - Newton's formula for viscous force- Definition of co-efficient of viscosity- The effect of temperature on viscosity of liquids and gases - Poiseuille's equation for Co-efficient of viscosity- The related numerical problems.

10. Electricity & Magnetism:

Ohm's law and explanation, Specific resistance, Kirchoff's laws, Wheatstone's bridge, Meter bridge, Coulomb's inverse square law, magnetic field, magnetic lines of force, magnetic induction field strength- magnetic induction field strength at a point on the axial line - magnetic induction field strength at a point on the equatorial line—problems.

11. Modern Physics;

Photoelectric effect –Einstein's photoelectric equation-laws of photoelectric effect-photoelectric cell–Applications of photo electric effect- Total internal reflection- fiber optics- principle and working of an optical fiber-types of optical fibers - Applications of optical fibers- superconductivity–applications-Nanotechnology definition, nano materials, applications

REFERENCEBOOKS

- | | |
|---------------------------------------|------------------------------------|
| 1. Telugu Academy (English version) | Intermediate physics Volume-I & 2 |
| 2. Dr. S. L. Gupta and Sanjeev Gupta | Unified physics Volume 1,2,3 and 4 |
| 3. Resnick& Holiday | Text book of physics Volume I |
| 4. Dhanpath Roy | Text book of applied physics |
| 5. D.A Hill | Fiber optics |
| 6. XI & XII Standard | NCERT Text Books |

➤ **Model Blue Print with Weightage for Blooms category and questions for chapter and Cos mapped**

S. No	Unit Title/Chapter	No of Periods	Weight age of marks	Marks wise distribution of Weightage				Question wise distribution of Weightage				Mapped with CO
				R	U	Ap	An	R	U	Ap	An	
1	Units and Dimensions	08	03	3	0	0	0	1	0	0	0	CO1
2	Elements of Vectors	12	11	3	8	0	0	1	1	0	0	CO1
3	Dynamics	12	11	3	8	0	0	1	1	0	*	CO2
4	Friction	10	11	3	0	8	0	1	0	1	0	CO2
5	Work, Power and Energy	12	11	3	8	0	0	1	1	0	0	CO3
6	Simple harmonic motion	12	11	3	8	0	0	1	1	0	*	CO3
7	Heat and Thermodynamics	12	11	0	8	3	0	0	1	1	*	CO4
8	Sound	10	11	0	8	3	0	0	1	1	0	CO4
9	Properties of matter	10	08	0	8	0	0	0	1	0	0	CO5
10	Electricity and Magnetism	12	14	6	0	8	0	2	0	1	0	CO5

11	Modern physics	10	08	0	8	0	0	0	1	0	0	CO5
Total		120	110	24	64	22	0	8	8	4	* 10	

***One question of HOTs for 10 marks from any of the unit title 3 or 6 or 7**

➤ **Table specifying the scope of syllabus to be covered for Unit Tests**

Unit Test	Learning outcomes to be covered
Unit Test – 1	From 1.1 to 4.9
Unit Test – 2	From 5.1 to 7.10
Unit Test – 3	From 8.1 to 11.8

➤ **Model question paper for Unit Tests I,II,III with COs mapped**

UNIT TEST –I
Model Question Paper (C-20)
ENGINEERING PHYSICS (CM-103)

TIME: 90 minutes

Total Marks: 40

PART-A

16 Marks

Instructions: (1) Answer all questions.

(2) First question carries 4 marks and others carry 3 marks each.

(3) Answers for the Question numbers 2 to 5 should be brief and straight to the point and shall not exceed five simple sentences.

1. i) The dimensional formula of force is _____ **(CO1)**
ii) Which of the following is a scalar [] **(CO1)**
a) force b) work c) displacement d) velocity
iii) we can add a scalar to a vector (Yes / No) **(CO1)**
iv) Friction is a self-adjusting force. [True / False] **(CO2)**
2. Define dot product. Give one example. **(CO1)**
3. A force of 150 N acts on a particle at an angle of 30° to the horizontal. Find the horizontal and vertical components of force. **(CO1)**
4. Define projectile. Give two examples. **(CO2)**
5. It is easier to pull a lawn roller than to push it. Explain **(CO2)**

PAR

T—B

3x8=24

Instructions: (1) Answer all questions. Each question carries 8marks.

(2) Answer should be comprehensive and the criteria for evaluation is content but not the length of the answer.

- 6) (A) Derive an expression for magnitude and direction of resultant of two Vectors using parallelogram law of vectors **(CO1)**
OR
(B) Write any four properties of dot product and any four properties of Cross product **(CO1)**
- 7) (A) Show that path of a projectile is a parabola in case of oblique Projection. **(CO2)**
OR
(B) Derive the expression for range and time of flight of a projectile **(CO2)**
- 8) (A) State and explain polygon law of vector addition with a neat diagram **(CO1)**
OR
(B) Derive the equation for acceleration of a body on a rough inclined plane **(CO2)**

UNIT TEST –II
Model Question Paper (C-20)
ENGINEERING PHYSICS (CM–103)

TIME: 90 minutes

Total Marks: 40

PART –A

16 Marks

Instructions: (1) Answer all questions.

(2) First question carries 4 marks and others carry 3 marks each.

(3) Answers for the Question numbers 2 to 5 should be brief and

Straight to the point and shall not exceed five simple sentences.

- 1) i) The value of 100°C is equal to _____ in Kelvin scale of temperature **(CO4)**
ii) Write the S.I unit of power **(CO3)**
iii) A simple pendulum be used in artificial satellite (Yes / No) **(CO3)**
iv) Specific heat of a gas is constant for all gases in nature [True / False]**(CO4)**
2. Derive the relation between momentum and kinetic energy**(CO3)**
3. A girl is swinging by sitting in a swing, how the frequency changes if she stands in the swing.**(CO3)**
4. Write the physical significance of universal gas constant. **(CO4)**
5. A body is projected in to the air in the vertically upward direction, find the height at which its potential and kinetic energies are equal. **(CO3)**

PART–B

3x8=24 Marks

Instructions: (1) Answer all questions. Each question carries 8marks.

(2) Answer should be comprehensive and the criteria for evaluation is content but not the length of the answer.

- 6) (A) State the law of conservation of energy and verify it in case of a freely falling body.**(CO3)**
(OR)
(B) State and prove work energy theorem. **(CO3)**
- 7) (A) Define ideal simple pendulum and derive the equation for time period of a simple pendulum **(CO3)**
OR
(B) State the conditions for S.H.M, derive the equation for velocity for a Particle in S.H.M. **(CO3)**
- 8) (A) Define ideal gas, show that for an ideal gas the difference in specific heats is equal to universal gas constant **(CO4)**
(OR)
(B) State gas laws and derive the ideal gas equation **(CO4)**

UNIT TEST –III
Model Question Paper (C-20)
ENGINEERING PHYSICS (CM–103)

TIME: 90 minutes

Total Marks: 40

PART –A

16 Marks

Instructions: (1) Answer all questions.

(2) First question carries 4 marks and others carry 3 marks each.

(3) Answers for the Question numbers 2 to 5 should be brief and straight to the point and shall not exceed five simple sentences.

- 1) i) Photo electric cell converts light energy in to _____ energy **(CO5)**
ii) What is elastic limit ?**(CO5)**
iii) SI unit of Specific resistance is ----- **(CO5)**
iv) Inside a bar magnet magnetic line of force will travel from North pole to South pole
[True / False] **(CO5)**
2. Distinguish between Musical sound and Noise **(CO4)**
3. What is the effect of temperature on Viscosity of liquids and gases**(CO5)**
4. The values of resistances P, Q, R are 50 Ω , 10 Ω , 15 Ω respectively in the balanced condition of Wheatstone bridge, find the unknown resistance**(CO5)**
5. What is nanotechnology and write any two uses. **(CO5)**

PART—B

3x8=24 Marks

Instructions: (1) Answer all questions. Each question carries 8marks.

(2) Answer should be comprehensive and the criteria for evaluation is content but not the length of the answer.

- 6) (A) Explain Surface Tension based on the molecular theory **(CO5)**
(OR)
(B) Define Reverberation and Reverberation Time. Derive Sabine formula for reverberation time.**(CO4)**
- 7) (A) Derive the balancing condition of Wheatstone bridge with neat circuit Diagram. **(CO5)**
(OR)
(B) Derive an expression for the magnetic induction field strength at a point on the equatorial line of a bar magnet.**(CO5)**
- 8) (A) Describe an experiment to determine the specific resistance of a wire using meter bridge.**(CO5)**
(OR)
(B) Explain the principle and working of an optical fiber. **(CO5)**

BOARD DIPLOMA EXAMINATION, (C-20)
FIRST YEAR EXAMINATION
CM-103, ENGINEERING PHYSICS

Time : 3 hours]

[Total Marks : 80M

PART—A

3×10=30

Instructions: (1) Answer all questions.
(2) Each question carries three marks.
(3) Answers should be brief and straight to the point and shall not exceed five simple Sentences.

1. Write the dimensional formula of the following physical quantities **(CO1)**
(a) Velocity (b) Force (c) Angular momentum
2. Write any three properties of scalar product. **(CO1)**
3. Define projectile. Give two examples. **(CO2)**
4. It is easier to pull a lawn roller than to push it. Explain. **(CO2)**
5. Define potential energy and kinetic energy. **(CO3)**
6. For a body in simple harmonic motion velocity at mean position is 4m/s, if the time period is 3.14 s, find its amplitude. **(CO3)**
7. State first and second laws of thermodynamics. **(CO4)**
8. Write any three conditions of good auditorium **(CO4)**
9. Define ohmic and non-ohmic conductors. **(CO5)**
10. State Coulomb's inverse square law of magnetism. **(CO5)**

PART—B

8 ×5= 40

Instructions: (1) Each question carries eight marks.
(2) Answers should be comprehensive and the criterion for valuation is the content But not the length of the answer.

11. A) Derive an expression for magnitude and direction of the resultant of two vectors using Parallelogram law of vectors. **(CO1)**

OR

- B) Show that path of a projectile is parabola in case of oblique projection and derive expression for maximum height. **(CO2)**

12. A) Derive expression for acceleration of a body sliding downwards on a rough inclined plane. **(CO2)**

OR

- B) Verify the law of conservation of energy in case of a freely falling body. **(CO3)**
13. A) Derive an expression for velocity and acceleration of a particle performing simple harmonic Motion. **(CO3)**

OR

- B) Define ideal gas and derive ideal gas equation. **(CO4)**

14. A) Two tuning forks A and B produce 4 beats per second. On loading B with wax 6 beats are produced. If the quantity of wax is reduced the number of beats drops to 4. If the frequency of A is 326 Hz, find the frequency of B. **(CO4)**

OR

B) Explain surface tension based on molecular theory. Write three examples of surface tension. **(CO5)**

15. A) Derive an expression for balancing condition of Wheat stone's bridge with a neat circuit diagram. **(CO5)**

OR

B) Explain principle and working of optical fibers. Write any three applications. **(CO5)**

PART C

1 x 10 = 10

16) Derive relationship between molar specific heat of a gas at constant pressure C_p and molar specific heat of a gas at constant volume C_v and hence show that C_p is greater than C_v . **(CO4)**

Course code	Course Title	No. of Periods per week	Total No. of Periods	Marks for FA	Marks for SA
CM-104	Engineering Chemistry and Environmental Studies	4	120	20	80

S.No	Unit Title/Chapter	No of Periods	COs Mapped
1	Fundamentals of Chemistry	18	CO1
2	Solutions	10	CO1
3	Acids and bases	10	CO1
4	Principles of Metallurgy	8	CO1
5	Electrochemistry	16	CO2
6	Corrosion	8	CO2
7	Water Treatment	10	CO3
8	Polymers	12	CO4
9	Fuels	6	CO4
10	Chemistry in daily life	6	CO4
11	Environmental Studies	16	CO5
	Total	120	

➤ **Course Objectives**

Course Title: Engineering Chemistry & Environmental Studies	
Course Objectives	<ol style="list-style-type: none"> 1. To familiarize with the concepts of chemistry involved in the process of various Engineering Industrial Applications. 2. To know the various natural and man-made environmental issues and concerns with an interdisciplinary approach that include physical, chemical, biological and socio cultural aspects of environment. 3. To reinforce theoretical concepts by conducting relevant experiments/exercises

➤ **Course outcomes**

Course Outcomes	CO1	Explain Bohr's atomic model, chemical bonding, mole concept, acids and bases, P ^H metallurgical process and alloys
	CO2	Explain electrolysis, Galvanic cell, emf and corrosion
	CO3	Explain the chemistry involved in the treatment of water by advanced method
	CO4	Synthesise of Plastics, rubber and applications of fuel chemical compounds used in our daily life.
	CO5	Explain the causes, effects and control methods of air and water pollution and measures to protect the environment

Course code CM-104	Chemistry and Environmental studies Cos;5			periods 120
	Mapped with CO No	CO periods addressing PO in Col 1 NO	Level 1,2,3	remarks
	CO1,CO2,CO3, CO4,CO5			>40% level 3 (highly addressed) 25% to 40% level2(moderately addressed 5% to 25% level1 (Low addressed < 5%(not addressed)
	CO1,CO2			
	CO2,CO3			
	CO1			
	CO4,CO5			

➤ COs-POs mapping strength (as per given table)

	PO1	PO2	PO3	PO4	PO5	PO6	PO7	PSO1	PSO2	PSO3
CO1	3	1		1				1	1	
CO2	3	1	2					1	1	
CO3	3		2							
CO4	3				1		2			
CO5	3				3			1		

3 = strongly mapped

2= moderately mapped

1= slightly mapped

Note: The gaps in CO and PO mapping will be achieved by one or more appropriate activities from the following: i) Seminars ii) Tutorials iii) Guest Lectures iv) Assignments v) Quiz competitions vi) Industrial visit vii) Tech Fest viii) Mini project ix) Group discussions x) Virtual classes xi) Library visit for e-books

➤ **Model Blue Print with Weightage for Blooms category and questions for each chapter and COs mapped**

S.No	Unit Title/Chapter	No of Periods	Weight age of marks	Marks wise distribution of Weightage				Question wise distribution of Weightage				Mapped with CO
				R	U	Ap	An	R	U	Ap	An	
1	Fundamentals of Chemistry	18	19	8	8	3		1	1	1		CO1
2	Solutions	10	11	0	0	8	3			1	1	CO1
3	Acids and bases	10	11	0	8	0	3		1		1	CO1
4	Principles of Metallurgy	8	8	8	0	0		1				CO1
5	Electrochemistry	16	11	8	3	0		1	1		*	CO2
6	Corrosion	8	8	0	8	0			1			CO2
7	Water Treatment	10	11	8	3	0		1	1			CO3
8	Polymers	12	11	3	8	0		1	1		*	CO4
9	Fuels	6	3	3	0	0		1				CO4
10	Chemistry in daily life	6	3	0	0	3				1		CO4
11	Environmental Studies	16	14	3	11	0		1	2			CO5
Total		120	110	12	6	6	6	20	35	5	* 10	

*One question of HOTS for 10 marks from any of the unit title 5 or 8

Upon completion of the course the student shall be able to learn out

ENGINEERING CHEMISTRY AND ENVIRONMENTAL STUDIES

1.0 Atomic structure

- 1.1 Explain the charge, mass of fundamental particles of an atom (electron, proton and neutron) and the concept of atomic number and mass number.
- 1.2 State the Postulates of Bohr's atomic theory and its limitations.
- 1.3 Explain the significance of four Quantum numbers.
- 1.4 Explain 1. Aufbau principle, 2 Pauli's exclusion principle 3 Hund's rule.
- 1.5 Define Orbital of an atom and draw the shapes of s, p and d- Orbitals.
- 1.6 Write the electronic configuration of elements up to atomic number 30
- 1.7 Explain the significance of chemical bonding
- 1.8 Explain the Postulates of Electronic theory of valency
- 1.9 Define and explain Ionic and Covalent bonds with examples of NaCl, MgO, *H₂, *O₂ and *N₂. (* Lewis dot method)
- 1.10 List out the Properties of Ionic compounds and covalent compounds and distinguish between their properties.
- 1.11 Structures of ionic solids-define a) Unit cell b) co-ordination number and the structures of NaCl and CsCl unit cells.

2.0 Solutions

- 2.1 Define the terms 1. Solution, 2. Solute and 3. Solvent
- 2.2 Classify solutions based on physical state and solubility
- 2.3 Define mole and problems on mole concept.
- 2.4 Define the terms 1. Atomic weight, 2. Molecular weight and 3. Equivalent weight and calculate Molecular weight and Equivalent weight of the given acids. (HCl, H₂SO₄, H₃PO₄) Bases (NaOH, Ca(OH)₂, Al(OH)₃) and Salts (NaCl, Na₂CO₃, CaCO₃)
- 2.5 Define molarity and normality and numerical problems on molarity and normality
 - a) Calculate the Molarity or Normality if weight of solute and volume of solution are given
 - b) Calculate the weight of solute if Molarity or normality with volume of solution are given
 - c) Problems on dilution to convert high concentrated solutions to low concentrated Solutions

3.0 Acids and bases

- 3.1 Explain Arrhenius theory of Acids and Bases and give the limitations of Arrhenius theory of Acids and Bases.
- 3.2 Explain Bronsted–Lowry theory of acids and bases and give the limitations of Bronsted–Lowry theory of acids and bases.
- 3.3 Explain Lewis theory of acids and bases and give the limitations of Lewis theory of acids and bases.
- 3.4 Explain the Ionic product of water
- 3.5 Define pH and explain P^H scale and solve the Numerical problems on pH (Strong Acids and Bases)
- 3.6 Define and explain buffer solution and give the examples of buffer solutions.
- 3.7 State the application of buffer solutions

4.0 Principles of Metallurgy

- 4.1 List out the Characteristics of Metals and non-metals
- 4.2 Distinguish between Metals and Non-metals
- 4.3 Define the terms 1. Mineral, 2. Ore, 3. Gangue, 4. Flux 5. Slag
- 4.4 Describe the methods of concentration of Ore; 1. Handpicking, 2. Levigation and 3. Froth Floatation
- 4.5 Describe the methods involved in extraction of crude metal- Roasting, Calcination and Smelting.
- 4.6 Explain the purification of Copper by Electrolytic Refining
- 4.7 Define an Alloy and Write the composition and uses of the following alloys. 1. Brass 2. German silver 3. Nichrome.

5.0 Electrochemistry

- 5.1 Define the terms 1. Conductor 2. Semiconductor 3. Insulator, 4. Electrolyte 5. Non-electrolyte. Give two examples each.
- 5.2 Distinguish between metallic conduction and Electrolytic conduction
- 5.3 Explain electrolysis by taking example fused NaCl
- 5.4 Explain Faraday's laws of electrolysis
- 5.5 Define 1. Chemical equivalent (E) 2. Electrochemical equivalent (e) and their relation.
- 5.6 Solve the Numerical problems on Faraday's laws of electrolysis and applications of electrolysis (Electro plating)
- 5.7 Define Galvanic cell and explain the construction and working of Galvanic cell.
- 5.8 Distinguish between electrolytic cell and galvanic cell
- 5.9 Explain the electrode potentials and standard electrode potentials

- 5.10 Explain the electrochemical series and its significance
- 5.11 Explain the emf of a cell and solve the numerical problems on emf of the cell based on standard electrode potentials.

6.0 Corrosion

- 6.1 Define the term corrosion.
- 6.2 state the Factors influencing the rate of corrosion
- 6.3 Describe the formation of a) composition cell b) stress cell c) concentration cell during corrosion.
- 6.4 Define rusting of iron and explain the mechanism of rusting of iron.
- 6.5 Explain the methods of prevention of corrosion
 - a) Protective coatings (anodic and cathodic coatings)
 - b) Cathodic protection (Sacrificial anode process and Impressed-voltage process)

7.0 Water Treatment

- 7.1 Define soft water and hard water with respect to soap action.
- 7.2 Define and classify the hardness of water.
- 7.3 List out the salts that causing hardness of water (with Formulae)
- 7.4 State the disadvantages of using hard water in industries.
- 7.5 Define Degree of hardness and units of hardness (mg/L) or(ppm).
- 7.6 Explain the methods of softening of hard water: a) Ion-exchange process, b)Permutit process or zeolite process
- 7.7 State the essential qualities of drinking water.
- 7.8 Chemistry involved in treatment of water (Coagulation, Chlorination, deflouridation)
- 7.9 Explain Osmosis and Reverse Osmosis with examples.
- 7.10 State the applications of Reverse Osmosis.

8.0 Polymers

- 8.1 Explain the concept of polymerisation
- 8.2 Describe the methods of polymerization a) addition polymerization of ethylene b) condensation polymerization of Bakelite(Only flow chart)
- 8.3 Define thermoplastics and thermosetting plastics with examples.
- 8.4 Distinguish between thermo plastics and thermosetting plastics
- 8.5 List the Characteristics of plastics and state the disadvantages of using plastics.
- 8.6 State the advantages of plastics over traditional materials.
- 8.7 Explain the methods of preparation and uses of the following plastics:
 - 1. PVC, 2. Teflon, 3. Polystyrene 4. Nylon 6,6
- 8.8 Explain processing of Natural rubber and write the structural formula of Natural rubber.
- 8.9 List the Characteristics of raw rubber
- 8.10 Define and explain Vulcanization and List out the Characteristics of Vulcanized rubber.
- 8.11 Define the term Elastomer and describe the preparation and uses of the following synthetic rubbers a) Buna-s and b) Neoprene rubber.

9.0 Fuels

- 9.1 Define the term fuel
- 9.2 Classify the fuels based on physical state and based on occurrence.
- 9.3 List the characteristics of good fuel.
- 9.4 State the composition and uses of gaseous fuels.
 - a) water gas b) producer gas, c) natural gas, d) Coal gas, e) Biogas.

10.0 Chemistry in daily life

- 10.1 Give the basic chemical composition, applications, health aspects and pollution impacts of
a) soaps, and detergents b) vinegar c) Insect repellents d) activated charcoal e) Soft drinks

11.0 ENVIRONMENTAL STUDIES

- 11.1 Define the term environment and explain the scope and importance of environmental studies
- 11.2 Define the segments of environment 1).Lithosphere, 2).Hydrosphere, 3).Atmosphere, 4).Biosphere,
- 11.3 Define the following terms 1)Pollutant, 2).Pollution, 3).Contaminant, 4)receptor, 5)sink, 6) particulates, 7)dissolved oxygen (DO), 8)Threshold limit value (TLV), 9).BOD,10).COD 11) eco system 12) Producers 13) Consumers 14) Decomposers with examples
- 11.4 State the renewable and non renewable energy sources with examples.
- 11.5 Explain biodiversity and threats to biodiversity
- 11.6 Define air pollution and classify the air pollutants-based on origin and physical state of matter.
- 11.7 Explain the causes, effects of air pollution on human beings, plants and animals and control methods of air pollution.
- 11.8 State the uses of forest resources.
- 11.9 Explain causes and effects of deforestation
- 11.10 Explain the causes and effects of the following
1.) Greenhouse effect, 2) Ozone layer depletion and 3) Acid rain
- 11.11 Define Water pollution, explain the causes, effects and control methods of Water pollution.

COURSE CONTENT

ENGINEERING CHEMISTRY AND ENVIRONMENTAL STUDIES

1. Fundamentals of Chemistry

Atomic Structure: Introduction - Fundamental particles – Bohr's theory – Quantum numbers –Aufbau principle - Hund's rule - Pauli's exclusion Principle- Orbitals, shapes of s, p and d orbitals - Electronic configurations of elements

Chemical Bonding: Introduction – types of chemical bonds – Ionic and covalent bond with examples–Properties of Ionic and Covalent compounds- structures of ionic crystals (NaCl and CsCl).

2. Solutions

Introduction of concentration methods – mole concept, molarity and normality – Numerical problems on mole, molarity and normality.

3. Acids and Bases

Introduction – Theories of acids and bases and limitations – Arrhenius theory- Bronsted – Lowry theory – Lewis acid base theory – Ionic product of water- pH related numerical problems–Buffer solutions, action of buffer and its applications.

4. Principles of Metallurgy

Characteristics of Metals and non-metals –Distinguish between Metals and Non-metals, Define the terms i) Metallurgy ii) ore iii) Gangue iv) flux v) Slag - Concentration of Ore –Hand picking, Levigation, Froth floatation – Methods of Extraction of crude Metal – Roasting, Calcination, Smelting – Alloys – Composition and uses of brass, German silver and nichrome.

5. Electrochemistry

Conductors, semiconductors, insulators, electrolytes and non-electrolytes – electrolysis – Faraday's laws of electrolysis-application of electrolysis(electroplating) -numerical problems on Faraday's laws – Galvanic cell – standard electrode potential – electrochemical series–emf and numerical problems on emf of a cell .

6. Corrosion

Introduction - factors influencing corrosion - composition, stress and concentration cells– rusting of iron and its mechanism – prevention of corrosion by coating methods, cathodic protection methods.

7. Water technology

Introduction–soft and hard water–causes of hardness–types of hardness –disadvantages of hard water – degree of hardness (ppm and mg/lit) – softening methods – permutit process – ion exchange process– qualities of drinking water –Chemistry involved in treatment of water (Coagulation, Chlorination, defluoridation) - Osmosis, Reverse Osmosis –Applications of Reverse osmosis.

8. Polymers

Introduction – polymerization – types of polymerization – addition, condensation with examples – plastics – types of plastics – advantages of plastics over traditional materials- Disadvantages of using plastics – Preparation and uses of the following plastics i).PVC ii) Teflon iii) Polystyrene iv) .Nylonn 6,6 –Processing of natural rubber - Vulcanization – Elastomers- Preparation and applications of Buna-s, Neoprene rubbers.

9. Fuels

Definition and classification of fuels–characteristics of good fuel-composition and uses of gaseous fuels.

10. Chemistry in daily life

Basic composition, applications, health aspects and pollution impacts of soaps and detergents, vinegar, insect repellents, soft drinks, activated charcoal.

11. ENVIRONMENTALSTUDIES

Introduction– environment –scope and importance of environmental studies – important terms related to environment– renewable and non-renewable energy sources–Concept of ecosystem – Biotic components –Forest resources – Deforestation -Biodiversity and its threats-Air pollution – causes-effects–Global environmental issues – control measures – Water pollution – causes – effects – control measures.

REFERENCEBOOKS

1. Telugu Academy Intermediate chemistry Vol 1&2
2. Jain & Jain Engineering Chemistry
3. O.P. Agarwal, Hi- Tech. Engineering Chemistry
4. Sharma Engineering Chemistry
5. A.K. De Engineering Chemistry

Table specifying the scope of syllabus to be covered for unit test 1, unit test 2 and unit test 3

Unit Test	Learning outcomes to be covered
Unit Test - 1	From 1.1 to 3.7
Unit Test - 2	From 4.1 to 7.10
Unit Test - 3	From 8.1 to 11.11

Model question paper for Unit Test with Cos mapped

UNIT TEST –I

Model Question Paper (C-20)

ENGINEERING CHEMISTRY & ENVIRONMENTAL STUDIES (CM-104)

TIME: 90 minutes

Total Marks: 40

PART-A

16 Marks

Instructions: (1) Answer all questions.

(2) First question carries 4 marks and each of rest carries 3 marks.

(3) Answers for Q.No. 2 to 5 should be brief and straight to the point and shall not exceed five simple sentences.

1. a. Number of neutrons in ${}_{11}\text{Na}^{23}$ is -----**(CO1)**
b. The molarity and normality of HCl is the same (True or False)**(CO1)**
c. What is the p^H range of base? **(CO1)**
d. Graphite is a good conductor of electricity (Yes or No) **(CO1)**
2. Distinguish between orbit and orbital.**(CO1)**
3. Define Covalent bond. Explain the formation of covalent bond in Oxygen and Nitrogen molecules.
(CO1)
4. Define mole. Calculate the number of moles present in 50 gm of CaCO_3 and 9.8 gm of H_2SO_4 .
(CO1)
5. Define P^H . Calculate the P^H of 0.001M HCl and 0.01M NaOH solution.**(CO1)**

PART – B

3x8M = 24M

Answer either (A) or (B) from each questions from Part-B.

Each question carries 8 marks.

6. A) Explain Postulations of Bhor's atomic theory. Give its limitations.**(CO1)**
(OR)
B) Explain the significance of Quantum numbers.**(CO1)**
7. A) Express molarity normality with mathematical equation. Calculate the molarity and normality of 10gm of NaOH present in 500 ml solution.**(CO1)**
(OR)
B) Classify solutions based the physical state of solute and solvent and give an example each.
(CO1)
8. A) What is buffer solution? Classify with examples and give it's applications.**(CO1)**
(OR)
B) Explain Bronsted-Lowry theory of acids and bases. Give its limitations.**(CO1)**

UNIT TEST –II
Model Question Paper (C-20)

ENGINEERING CHEMISTRY & ENVIRONMENTAL STUDIES (CM-104)

TIME: 90 minutes

Total Marks:40Marks

PART-A

16 Marks

Instructions: (1) Answer all questions.

(2) First question carries 4 marks and each of rest carries 3 marks.

(3) Answers for Q.No. 2 to 5 should be brief and straight to the point and shall not exceed five simple sentences.

1. a) Bauxite is the ore of metal **(CO2)**
b) What is the unit of electrochemical equivalent?**(CO2)**
c) CaSO_4 is the permanent hardness causing salt. (True or False) **(CO3)**
d) Write the Chemical formula of rust.**(CO2)**
2. Write any three differences between metallic conduction and electrolytic conduction.**(CO2)**
3. Write the composition and applications of German silver and Nichrome.**(CO1)**
4. Mention any three disadvantages of using hard water in industries.**(CO3)**
5. Define electro chemical equivalent and chemical equivalent. Give the relation between them.**(CO2)**

PART – B

3x8M = 24M

Answer either (A) or (B) from each questions from Part-B.

Each question carries 8 marks.

6. A) What is galvanic cell? Explain construction and working of galvanic cell with neat diagram **(CO2)**

(OR)

B) State and explain Faraday`s laws of electrolysis.**(CO2)**
7. A) Explain different types of galvanic cells formed during the corrosion of metals.**(CO2)**

(OR)

B) What is hard water? Explain zeolite process of softening of hard water. **(CO3)**
8. A) Explain Froth floatation process. **(CO1)**

(OR)

B) Explain Electrolytic refining processing of copper. **(CO1)**

UNIT TEST –III
Model Question Paper (C-20)

ENGINEERING CHEMISTRY & ENVIRONMENTAL STUDIES (CM-104)

TIME: 90 minutes

Total Marks:40

PART-A

16 Marks

Instructions: (1) Answer all questions.

(2) First question carries 4 marks and each of rest carries 3 marks.

(3) Answers for Q. No. 2 to 5 should be brief and straight to the point and shall not exceed five simple sentences.

1. a) The monomer of PVC..... (CO4)
b) Sulphur is the vulcanising agent. (True/False) (CO4)
c) Give an example for secondary pollutant.(CO5)
d) Presence of ozone in stratosphere is a pollutant.(Yes/No)(CO5)
2. List any three characteristic properties of vulcanised rubber.(CO4)
3. Define primary fuel and secondary fuels give an example each.(CO4)
4. Mention the basic chemical composition and applications of vinegar.(CO4)
5. Write any three threats to the biodiversity.(CO5)

PART – B

3x8M = 24M

Answer either (A) or (B) from each questions from Part-B.

Each question carries 8 marks.

6. A) Explain addition and condensation polymerisation with an example each.(CO4)
(OR)
B) Give a method of preparation and applications of the following
i) Buna-S ii) Neoprene (CO4)
7. A) What is air pollution? Explain any three causes of air pollution.(CO5)
(OR)
B) Briefly explain ozone layer depletion and green house effect.(CO5)
8. A) What is water pollution? Explain any three controlling methods of water pollution.(CO5)
(OR)
B) What are thermoplastics and thermo setting plastic? Write any four differences between these two plastics. (CO4)

Model Question Paper (C-20)

ENGINEERING CHEMISTRY & ENVIRONMENTAL STUDIES (CM-104)

TIME: 3hrs

Total Marks:80

PART-A

Instructions: (1) Answer all questions.

(2) Each question carries 3 marks.

Answer all questions. Each question carries three marks.

3x10=30M

1. Draw the shapes of s and p orbitals. **(CO1)**
2. Define mole. Find the mole number of 10 g of CaCO_3 **(CO1)**
3. Define Buffer solution. Give any two examples. **(CO1)**
4. Define chemical equivalent and electrochemical equivalent. Give their relation. **(CO2)**
5. State name of the salts and their formulae that cause hardness. **(CO3)**
6. Write any three disadvantages of using plastics. **(CO4)**
7. Classify the fuels based on their occurrence. **(CO4)**
8. Mention the basic chemical composition and applications of vinegar. **(CO4)**
9. List out any three threats to biodiversity. **(CO5)**
10. Define pollutant and contaminant. Give an example each. **(CO5)**

PART – B

Each question carries eight marks.

8x5=40M

11. A) Explain Bohr's atomic theory and give its limitations. **(CO1)**
(OR)
B) Explain ionic bond formation and covalent bond formation with one example each **(CO1)**
12. A) Calculate the molarity and normality of 250 ml of sodium carbonate solution that contains 10.6 gm of sodium carbonate. **(CO1)**
(OR)
B) Explain Bronstead and Lowry theory of acids and bases. Give its limitations. **(CO1)**
13. A) Explain froth floatation and electrolytic refining of copper with neat diagrams. **(CO1)**
(OR)
B) Explain the construction and working of galvanic cell. **(CO2)**
14. A) Explain Cathode protection methods. **(CO2)**
(OR)
B) Explain ion-exchange of softening of hard water with a neat diagram. **(CO3)**
15. A) Explain addition and condensation polymerisation with an example each. **(CO4)**
(OR)
B) Explain the causes and effects of air pollution. **(CO5)**

PART –C

Question carries ten marks

10x1 =10M

16. Analyse the products formed at cathode and anode with electrode reactions during the Electrolysis of aqueous NaCl in compare with fused NaCl. **(CO2)**

Course code	Course Title	No. of Periods/Weeks	Total No. of periods	Marks for FA	Marks for SA
CM-105	Basics Of Computer Engineering	3	90	20	80

S.No.	Chapter/Unit Title	No.of Periods	CO's Mapped
1.	Fundamentals of Computers	15	CO1,CO3,CO4
2.	Programming Methodology	10	CO2
3.	Operating System basics	20	CO1,CO3
4.	Computer Hardware and Networking Basics	25	CO1,CO4,CO5
5.	Emerging Trends in Computer Technologies	20	CO2,CO6
Total Periods		90	

Course Objectives
i)To know the fundamentals of Computers ii)To familiarize programming methodologies like algorithms and flowcharts iii)To understand Operating system basics iv)To familiarize Emerging Technologies

Course Outcomes	At the end of the course the student able to learn following:		
	CO1	CM-105.1	Explain computer fundamentals
	CO2	CM-105.2	Explain various flowchart, algorithm methods
	CO3	CM-105.3	Explain the importance of Basic Computer operating systems
	CO4	CM-105.4	Analyse functioning of various Hardware components
	CO5	CM-105.5	Explain Networking process in computers
	CO6	CM-105.6	Explain basics of emerging technologies in the world

CO-PO/PSO Matrix:

CO NO.	PO1	PO2	PO3	PO4	PO5	PO6	PO7	PSO1	PSO2	PSO3
CM-105.1	3							3	1	1
CM-105.2	1	2	2	1		3		1	3	1
CM-105.3	3	1		1		1	1	3	1	1
CM-105.4	3		2	2	1		1	2	1	2
CM-105.5	3		2		1	1	1	2	1	2
CM-105.6	3			1	2		2	2	2	1
Average	2.7	1.5	2	1.25	1.3	1.7	1.25	2.2	1.3	1.3

3=Strongly mapped , 2=moderately mapped, 1=slightly mapped

Learning Outcomes:

1.0 Fundamentals of Digital Computer

- 1.1. Define various terms related to computers – Computer, Hardware , Software, Firmware, High Level Language , Low Level Language
- 1.2. Draw and explain block diagram of a Computer in detail
- 1.3. Describe the current family of CPUs used in Computers.
- 1.4. State the use of storage devices used in a Computer.
- 1.5. List the two types of memory used in a Computer.
- 1.6. State the importance of cache memory.
- 1.7. Explain the generations of computers.
- 1.8. Classification of computers - based on a) size, b) processor.
- 1.9. State the importance of binary number system for use in Digital Computers

2.0 Implement Programming Methodology.

- 2.1. State the different steps involved in problem solving.
- 2.2. Define algorithm.
- 2.3. List four characteristics of algorithm.
- 2.4. Define a program
- 2.5. Differentiate between program and algorithm.
- 2.6. State the steps involved in algorithm development.
- 2.7. Differentiate between algorithm and flowchart.
- 2.8. Develop algorithms for simple problems.
- 2.9. Draw the symbols used in flowcharts.
- 2.10. Draw flowcharts for simple problems.

3.0 Operating Systems basics

- 3.1. Describe the need for an operating system.
- 3.2. List the various operating systems used presently.
- 3.3. List and explain
 - 3.3.1.Types of dos commands
 - 3.3.2.Any 10 Internal Commands
 - 3.3.3.Any 5 External Commands
 - 3.3.4.Features of Windows desktop.
 - 3.3.5.Components of a Window.
- 3.4. State the function of each component of a Window.
- 3.5. Describe the Method of starting a program using start button
- 3.6. Explain usage of maximize, minimize, restore down and close buttons.
- 3.7. State the meaning of a file ,folder.
- 3.8. Describe the Method of viewing the contents of hard disk drive using Explorer
- 3.9. Describe the Method of finding a file using search option.
- 3.10. Use control panel for
 - 3.10.1. installing and uninstalling software
 - 3.10.2. installing and uninstalling hardware
 - 3.10.3. Changing the system date and time
 - 3.10.4. Installing a printer
- 3.11. Explain Drive space using system tool option of Accessories group
- 3.12. Explain Disk defragmentation using System tools
- 3.13. Explain the procedure for changing resolution, color, appearance, screensaver options of the display

4.0 Computer Hardware and Networking Basics

4.1 Hardware Basics

- 4.1.1 Identify hardware used for I/P, O/P & inside computer case, system board components used for communication among devices
- 4.1.2 Software - 3 types of Software:ROM BIOS, OS, application software
- 4.1.3 Explain Functions of BIOS
- 4.1.4 Explain boot process
- 4.1.5 Explain POST and important beep codes
- 4.1.6 Describe about different connectors.

4.2 Networking Basics

- 4.1.1.Explain meaning of a computer network.
- 4.1.2.Describe the concept of a Local Area Network,Wide Area Network
- 4.1.3.Compare Internet and Intranet
- 4.1.4.Describe about internet service provider.
- 4.1.5.Explain the role of a modem in accessing the Internet.
- 4.1.6.Describe address format and IP address
- 4.1.7.What is browser and List various browsers
- 4.1.8.Explain the role of search engines with examples.
- 4.1.9.Explain Internet Security.

5.0 Emerging Trends in Computer Technology

5.1. Introduction to Machine Learning

- 5.1.1.Define Machine Learning, Compare Traditional Programming with Machine Learning
- 5.1.2.List the applications and key elements of Machine Learning
- 5.1.3.Define the terms in relation to approaches to Machine Learning(Decision tree learning, Association rule learning, Artificial neural networks, Deep Learning, Inductive Learning, Genetic algorithms, Clustering)
- 5.1.4.Explain Inductive Learning
- 5.1.5.Classify the Machine Learning

5.2. Introduction to Big data

- 5.2.1.Define and list sources of Big data
- 5.2.2.Evolution of data/big data
- 5.2.3.List and explain the characteristics of big data – the three V's of big data
- 5.2.4.Describe Storing and selecting of Big Data
- 5.2.5.State the Need of Big Data
- 5.2.6.List types of tools used in Big Data
- 5.2.7.List applications of big data

5.3. Basics of Ethical Hacking

- 5.3.1. Define Ethical Hacking and List the categories of Hackers
- 5.3.2. Describe Roles and responsibilities of Ethical Hackers
- 5.3.3. List and explain the phases in Ethical Hacking and Explain Penetrate testing

5.4. Virtual Reality concepts

5.4.1. Define the terms Virtual Reality, Telepresence, Cyberspace, Telexistence, HCI (Human-Computer Interaction), Haptics, Hapticstechnologies, augmented reality and mixed reality

5.4.2. Discuss the evolution of Virtual Reality

COURSE CONTENT

1.0 Fundamentals of Digital Computer

Block diagram of a digital computer, functional parameters of CPU, Clock speed and word length, Functional blocks of a CPU: ALU and Control unit, types of memory RAM, ROM, purpose of cache memory

2.0 Programming Methodology.

Steps involved in problem solving - Define algorithm, Program - Characteristics of algorithm - Differentiate between program and algorithm- Steps involved in algorithm development - Differentiate algorithm and flowchart - Algorithms for simple problems - Symbols used in flowcharts -Flowcharts for simple problems.

3.0 Understand Operating Systems

Need for an operating system - List the various operating systems - Types of commands, Internal & External Commands Features of Windows desktop - Components of a Window - Function of each component of a Window - Method of starting a program using start button - Maximize, minimize, restore down and close buttons- Meaning of a file and folder -Viewing the contents of hard disk drive using explorer -Finding a file - Formatting a floppy disk using explore option - Installing and uninstalling new software using control panel - installing and un installing a new hardware using control panel - Drive space - disk defragmentation - Installing a printer - Changing resolution, colour, appearance and screensaver options of the display - Changing the system date and time

4.0 Computer Hardware and Networking Basics

Hardware Basics- I/P, O/P - inside computer case- system board components - 3 types of Software - BIOS- boot process - POST - different connectors. Networking Basics - computer network - Local Area Network - Wide Area Network - Compare Internet and Intranet - internet service provider - role of a modem - address format and IP address - browser - search engines with examples - Describe Internet Security.

5.0 Emerging Trends in Computer Technology

Introduction to Machine Learning - Compare Traditional Programming with Machine Learning- applications -know the key elements- Define the terms - Decision tree learning, Association rule learning, Artificial neural networks, Deep Learning, Inductive Learning, Genetic algorithms, Clustering- Explain Inductive Learning- Classify the Machine Learning -List the applications

Introduction to Big data - Big data -Evolution -characteristics – the three V's -Storing -Selecting - Need of Big Data -sources of big data -types of tools used - applications

Basics of Ethical Hacking - categories of Hackers - Penetrate testing -Roles and responsibilities of Ethical Hackers- phases in Ethical Hacking

Virtual Reality concepts- Virtual Reality, Telepresence, Cyberspace, Telexistence, HCI, Haptics, Hapticstechnologies, Discuss the evolution of Virtual Reality

REFERENCE BOOKS

1. Information Technology - Curtin.

2. Computer Science Theory & Application - E. Balaguruswamy, B. Sushila
3. Introduction to Computers (Special Indian Edition) - Peter Norton
4. Cloud Computing : Principles and Paradigms -RajkumarBuyya, James Broberg and AndrzejGoscinski
5. Big Data Basics part1 and 2 in www.mssqltips.com
6. <http://www.ijeset/media>(for Basics of EthicalHacking)
7. Brief-Introduction-of-Virtual-Reality-its-Challenge by SharmisthaMandalInternational Journal of Scientific & Engineering Research, Volume 4, Issue April-2013)

Model Blue Print:

S.No.	Chapter/Unit title	No.of periods	Weightage Allocated	Marks Wise Distribution of Weightage				Question wise Distribution of Weightage				CO's Mapped
				R	U	Ap	An	R	U	Ap	An	
1	Fundamentals of Digital Computers	15	14	3	11			1	2			CO1,CO3,CO4
2	Programming Methodologies	10	24	3	3	8	10	1	1	1	*	CO2
3	Operating system basics	20	14	3	3	8		1	1	1		CO1,CO3
4	Computer Hardware and Networking Basics	25	24	3	11		10	1	2		*	CO1,CO4,CO5
5	Emerging Computer Technologies	20	14	6	8			2	1			CO2,CO6
	Total	90	80					6	7	2		

Table specifying the scope of syllabus to be covered for unit tests

Unit Test	Learning outcomes to be covered
Unit test-1	From 1.1 to 3.3
Unit test-2	From 3.4 to 4.1
Unit test-3	From 4.2 to 5.4

BASICS OF COMPUTER ENGINEERING
UNIT TEST-1
SCHEME: C-20SUBJ CODE:CM-105

MAX MARKS:40

TIME: 90Minutes

PART-A

16Marks

Instructions: 1) Answer all questions
2) First question carries 4marks, and each question of remaining carries 3marks.

- 1.a)All computer physical components are treated as software(True/False) (CO1)
b) -----is the fastest memory in the computer (CO2)
c)Step by step procedure to solve problem is ----- (CO2)
d)Which one of the following is not an internal command [] (CO3)
i)FORMAT II)RD III)COPY IV)CLS
- 2) State the importance of binary number system for use in Digital Computers (CO1)
3)List different steps involved in problem solving (CO2)
4) What is the need for an operating system? (CO3)
5)Write about analog computers. (CO1)

PART-B

3X8=24Marks

Instructions:1) Answer all questions
2) Each question carries 8 Marks
3) Answer should be comprehensive and the criterion for valuation is the content but not the length of the answer.

6. a)Draw and explain block diagram of computer in detail (CO1)
Or
b)Explain various generation of computers (CO1)
7. a) Draw the flow chart to find biggest of three numbers (CO2)
Or
b) Write an algorithm to find the area of triangle when base and height are given.(CO2)
8. a) Explain any three external commands in detail (CO3)
Or
b) Explain components of a window. (CO3)

**MODEL PAPER – YEAR END EXAMINATION
BASICS OF COMPUTER ENGINEERING**

SCHEME: C-20SUBJ CODE:CM-105

MAX MARKS:80

TIME: 3HOURS

PART-A

10X3=30Marks

Note: Answer all questions

1. Define terms Hardware and Software. (CO1)
2. State the importance of binary system usage in Digital Computers (CO1)
3. Define algorithm (CO2)
4. State the different steps involved in problem solving (CO2)
5. List the features of Windows desktop (CO3)
6. State the meaning of a file and folder (CO3)

7. What is intranet? (CO5)
8. List various browsers (CO5)

9. List the features of Machine Learning (CO6)
10. List the sources of big data (CO6)

PART-B

5x8=40Marks

Note: Answer all questions

11. A.Explain the generations of computers? (CO1)
OR
- 11.B i) State the use of storage devices used in a Computer. (CO1)
ii) State the importance of cache memory. (CO1)
- 12.A.Differentiate algorithm and flowchart with suitable examples? (CO2)
OR
- 12.B. Explain in detail the characteristics of an algorithm. (CO2)
- 13.A.Explain about atleast 10 Internal Commands and 5 External Commands. (CO3)
OR
- 13.B. Explain the procedure for changing resolution, color, appearance, screensaver options of the display. (CO3)

- 14.A.Explain 3 types of Software in detail. (CO4)
OR
- 14.B.Explain Internet Security. (CO5)
- 15.A.Explain the characteristics of Big data. (CO6)
OR
- 15.B.Explain in detail about Penetrate testing. (CO6)

PART-C

1X10=10Marks

16. Write an Algorithm to find the area of triangle if and only if a triangle is formed with the given three sides. (CO2)

Course code	Course Title	No. of Periods/Weeks	Total No. of periods	Marks for FA	Marks for SA
CM-106	Programming in C	5	150	20	80

S.No.	Chapter/Unit Title	No.of Periods	CO's Mapped
1.	Introduction to C Language	20(10,10)	CO1,CO2
2.	Input and output statements, Operators and Expressions inC.	25(8,12, 5)	CO1,CO2,C3
3.	Decision making, iterative and other control statements	40(5,20,15)	CO1,CO2,CO3
4.	Arrays and strings, Structures and Unions	30(5,15,10)	CO1,CO2,CO3
5.	User definedfunctions, pointers, file management and pre-processor directives.	35(3,5,10,10,7)	CO1,CO2,CO3,CO4,CO5
Total Periods		150	

Course Objectives	<ul style="list-style-type: none"> • To Relate basics of programming language constructs using C Language • To classify and implement data types, derived data types, pointers, files, statements • To analyse and develop effective modular programming • To construct mathematical, logical and scientific problems and real time applications using C language
--------------------------	---

CO NO	COURSE OUTCOMES
CO1	CM-106.1 Develop, compile and debug programs using C- fundamentals and different programming statements in C language.
CO2	CM-106.2 Evaluate various operations using primary and derived data types in C.
CO3	CM-106.3 Analyse programs using predefined functions, modules and recursive techniques
CO4	CM-106.4 Write scientific and logical programs using pointers, file pointers
CO5	CM-106.5 Develop programs using information passing

CO-PO/PSO MATRIX

CO NO.	PO1	PO2	PO3	PO4	PO5	PO6	PO7	PSO1	PSO2	PSO3
CM-106.1	3		2	2				3	2	
CM-106.2				2				3	3	
CM-106.3		2	3	3				3	1	2
CM-106.4	3		1	1	2			3	2	2
CM-106.5			2	2		2	2	3	2	3
Average	3	2	2	2	2	2	2	3	2	2.3

3=Strongly mapped , 2=moderately mapped, 1=slightly mapped

Learning Objectives

1.0 Introduction to C-Language

- 1.1 Describe the history of C-language, structure of C-language program
- 1.2 Describe the programming style of C language
- 1.3 Explain the steps involved in Editing, compiling ,executing and debugging of C program
- 1.4 Describe character set, C-Tokens, Keywords, Identifiers, Constants, Variables
- 1.5 Define Data Type
- 1.6 Classify Data Types and explain them with examples.
- 1.7 Explain declaration of constants and variables
- 1.8 Explain initializing values to variables in declaration
- 1.9 Explain about user defined data types with a simple program
- 1.10 Explain the usage of type qualifiers

2.0 Input and output statements, Operators and Expressions in C

- 2.1 Explain the importance of Pre-processor Directive #include
- 2.2 Illustrate
 - 1) Reading a character using get ch(),get che() and get char()
 - 2) writing a character using put ch(), put char()
 - 3) Formatted input using scan f())& write sample programs using it.
 - 4) Formatted output using print f())& write sample programs using it.
- 2.3 Explain character functions
- 2.4 Define an operator, an expression
- 2.5 Explain
 - 1) Various arithmetic operators and explain the evaluation of arithmetic expressions with example.
 - 2) Various relational operators and discuss evaluation of relational expressions
 - 3) Various logical operators and discuss evaluation of logical expressions
- 2.6 Explain the difference between unary and binary operators
- 2.7 Describe various assignment operators, increment and decrement operators
- 2.8 Illustrate nested assignment
- 2.9 Explain conditional operators with an example
- 2.10 Explain
 - 1) Bit-wise operators and explain each with an example
 - 2) Special operators with examples
 - 3) Precedence and Associativity of operators
- 2.11 Describe evaluation of compound expression
- 2.12 Illustrate type conversion techniques
- 2.13 Write sample programs by using all the operators

3.0 Decision making, iterative and other control statements

- 3.1** Explain decision making statements and its need in programming
- 3.2** Explain
 - 1. Simple if and if-else statement with syntax and sample program
 - 2. Nested if. Else statements with syntax and sample program
 - 3. if-else-if ladder with syntax and sample program
 - 4. switch statement with syntax and sample program
- 3.3** State the importance of break statement with switch and illustrate
- 3.4** Compare
 - 1. Conditional operator with if-else statement
 - 2. if-else with switch statement
- 3.5** Define looping or iteration
- 3.6** List and explain iterative statements with syntax and examples
- 3.7** Compare different loop statements
- 3.8** What is nested loop and illustrate.
- 3.9** Explain the usage of go to, break and continue statements with loop statements
- 3.10** Differentiate break and continue statements.
- 3.11** Define structured programming.

4.0 Arrays, strings, Structures and Unions

- 4.1** Define Array
- 4.2** Describe
 - 1. Declaration and initialization of One Dimensional(1D) Array with syntax and sample programs.
 - 2. Accessing the elements in 1D-Array with sample programs.
 - 3. Reordering an array in ascending order.
- 4.3** Explain declaration and initialization and usage of two Dimensional(2D)Arrays.
- 4.4** Illustrate the concept of arrays with sample programs on matrix addition, subtraction and matrix multiplication
- 4.5** Define String
- 4.6** Describe
 - 1. Declare and initialize of String variables.
 - 2. gets() and puts()
 - 3. Reading and displaying of strings from terminal with sample programs.
 - 4. Explain about various String handling functions with sample programs.
- 4.7** Explain Character arithmetic.
- 4.8** Define a structure.
- 4.9** Explain
 - 1. Initializing structure, Declaring structure, Declaring Structure Variables.
 - 2. Accessing of the structure members
 - 3. Structure assignment.
 - 4. How to find size of a structure.
 - 5. Nested structure concept.
 - 6. Structures containing arrays
 - 7. Array of structures
- 4.10** Define Union, declare, initialize and use of union.
- 4.11** Distinguish between Structures and Unions
- 4.12** Write sample programs for all the concepts of structures and unions

5.0 User defined functions, pointers, file management and pre-processor directives

5.1 Explain

1. Need of user defined functions
2. Advantages of the functions
3. Elements of function
4. Return values and their types

5.2 Define a function call, function proto type

5.3 Explain

1. Function declaration in programs
2. Functions with no arguments and no return values with sample programs
3. Functions with arguments with no return values with sample programs
4. Functions with arguments with return values with sample programs
5. Functions with no arguments with return values with sample programs
6. Functions that return multiple values with sample programs
7. Recursion with sample programs
8. Passing arrays to functions with sample programs
9. Structure as function arguments and structures as function values.
10. Structures containing pointers.
11. Self-referential structures with examples.
12. Storage classes-auto, register, static, extern
13. Scope, visibility and lifetime of variables in functions

5.4 Differentiate Local and External variables

5.5 Define Global variable

5.6 Discuss passing the global variables as parameters using sample programs

5.7 Explain

1. Declaration and initialization of Pointers.
2. Accessing the address of a variable using &operator
3. Accessing the value of a variable through pointer
4. Pointer Arithmetic
5. Precedence of address and de-referencing operators.
6. Relationship between arrays and pointers.
7. Accessing array elements using pointers
8. Pointers as function arguments
9. Pointer arrays with examples.

5.8 Differentiate between address and de-referencing operators.

5.9 Explain

1. Dynamic memory management functions with examples.
2. Structures containing pointers.
3. Pointer to structure.
4. Self-referential structures with examples.

5.10 Explain

1. Files and how to declare file pointer to a file
2. Illustrate the concept of file opening using various modes
3. Illustrate the concept of closing of a file
4. Illustrate the concept of Input / Output operations on a file

5. Illustrate the concept of random accessing files
 6. Explain different file handling functions
- 5.11 Explain
1. Preprocessor directives
 2. Need of preprocessor directives.
- 5.12 Write
1. Simple programs using preprocessor directives.
 2. Simple program using command line arguments(argc and argv)

COURSE CONTENT

1. **Introduction to C Language:** History of C language - importance of C Define language - structure of C language - programming style of C language - steps involved in executing the C program-Character set - C Tokens - Keywords and Identifiers- Constants and Variables - Data Types and classification - declaration of constants and variables-initializing values to variables-user defined data types-usage of type qualifiers.
2. **Input and output statements, Operators and Expressions inC:**importance of Pre-processor #include-reading and writing asingle character functions- formatted input and output statements-operators-classification of operators-operator precedence and associativity-expressions and expression evaluation-type conversion techniques.
3. **Understand Decisionmaking, iterative and other control statements:**simpleif,if-else, if else ladder, nested if-else-switch statement - else if, nested if , else if ladder, switchstatements-Classification of various loop statements- while statement – do.. while statement ram - for loop statement - nesting of loops- Comparisons of different loop statements –goto statement-break and continue statements –concept of structuredprogramming
4. **UnderstandArrays and strings , basics of Structures and Unions:** Arrays -One Dimensional Arrays – array programs -two Dimensional Arrays- programs on matrix - Strings – String handling functions - Structure- Array of structures - Nested structures- pointer to structure Self referential structures - Union and illustrate use of a union – difference between Structures and Union
5. **Understand User definedfunctions, basics of pointers, file management and preprocessor directives:** Function – user defined functions – Advantages - Recursion concept - parameter passing –storage classes - scope, visibility and lifetime of variables in functions- Local and External variables -Global variable- - Pointer - Differentiate address and de-referencing operators - Pointer Arithmetic- precedence of address and de- referencing operators - - Relationship between Arrays and Pointers - Pointers as Function Arguments - Dynamic memory management-
6. Files - file pointers - file opening in various modes - Concept of closing of a file –operations on files - Need of Preprocessor directives - Various Preprocessor directives- Macros – Command line arguments

REFERENCE BOOKS

1	Programming in ANSI C	E.Balaguruswamy	TataMcGrawHill
2	Programming with C	Gottfried	Tata McGraw Hill
3	C The complete Reference	Schildt	Tata McGrawHill

Model Blue print

Note: Part-C: 10 marks single analytical question may be chosen from any or combination of starred chapters

S.No.	Chapter/Unit title	No.of periods	Weightage Allocatd	Marks Wise Distribution of Weightage				Question wise Distribution of Weightage				CO's Mapped
				R	U	Ap	An	R	U	Ap	An	
1	Introduction to C Language	20	14	6	8			2	1			CO1,CO2
2	Input and output statements, Operators and Expressions in C	25	14		6	8	*		2	1	*	CO1,CO2,C3
3	Decision making, iterative and other control statements	40	14		6	8	*		2	1	*	CO1,CO2,CO3
4	Arrays and strings , Structures and Unions	30	14	3	3	8	*	1	1	1	*	CO1,CO2,CO3
5	User defined functions, pointers, file management and pre-processor directives	35	14	3	3	8	*	1	1	1	*	CO1,CO2,CO3,CO4,CO5
	Total *	150	70 +10(*)	12	26	32	10	4	7	4	1	CO1,CO2,CO3,CO4

Table specifying the scope of syllabus to be covered for unit tests

Unit Test	Learning outcomes to be covered
Unit test-1	From 1.1 to 2.13
Unit test-2	From 3.1 to 4.6
Unit test-3	From 4.7 to 5.12

**DIPLOMA IN COMPUTER ENGINEERING
MODEL PAPER
C PROGRAMMING
UNIT TEST-1**

**SCHEME: C-20
MAX MARKS:40**

**SUBJ CODE:CM-106
TIME: 90Minutes**

PART-A

16Marks

Instructions:1) Answer all questions
2) First question carries 4marks, and each question of remaining carries 3marks

1. a) Int is a Data type in C language.(True/False) (CO1)
- b) 'a' is an example for _____ constant. (CO1)
- c) scanf() is used for _____ . (CO2)
- d) Which one of the following is a Relational operator [] (CO2)
- I)+ II)- III)* IV)>=
- 2) List any three data types of C language. (CO1)
- 3) Define a) Keyword b) Identifier c) Constant (CO1)
- 4) Write a sample program using Conditional operator? (CO2)
- 5) Distinguish between pre-increment and post-increment operators. (CO2)

PART-B

3X8=24Marks

Instructions:1) Answer all questions
2) Each question carries 8 Marks
3) Answer should be comprehensive and the criterion for valuation is the content but not the length of the answer

- 6.a) Write the C-Programming structure and explain each part of it (CO1)
- (Or)
- b) Explain various generation of computers (CO1)
- 7.a) Explain Arithmetic, Relational, Logical operators with examples. (CO2)
- (Or)
- b) Evaluate the following C-Expression and write the final value (CO2)
- $X = ((2 + 6 / 2 + 3 * 6) - ((4 + 6) / 2 + 5) / 10) + 1) / 5.0$
8. a) Illustrate Type Conversion techniques in detail (CO2)
- Or
- b) Write the C-program using formatted input and output functions. (CO2)

**BOARD DIPLOMA EXAMINATIONS
DIPLOMA IN COMPUTER ENGINEERING
MODEL PAPER - END EXAMINATION
PROGRAMMING IN C**

**SCHEME: C-20
MAX MARKS:80**

**SUBJ CODE:CM-106
TIME: 3HOURS**

PART-A

Note: Answer all questions. Each question carries 3 marks

10 X 3=30M

- | | | | |
|-----|---|-----|-----|
| 1. | Define an identifier and write two valid identifiers | 1+2 | CO1 |
| 2. | Write a short note on type qualifiers | 3 | CO1 |
| 3. | Write the syntax of formatted output statement | 3 | CO1 |
| 4. | Write a program to print the biggest of two numbers using conditional operators | 3 | CO3 |
| 5. | Differentiate between break and continue | 3 | CO3 |
| 6. | What is nesting? Give an example. | 3 | CO2 |
| 7. | What is an array? how to declare an array? | 1+2 | CO2 |
| 8. | List any three string functions | 3 | CO2 |
| 9. | Define a pointer. Write the syntax to declare a pointer variable | 1+2 | CO4 |
| 10. | State the importance of "void" | 3 | CO4 |

PART-B

Note: 1. Answer all the question and making use of internal choice.

2. Each question carries 8 marks

5 X 8=40M

- | | | | |
|--------|---|-----|------|
| 11(a). | Write the C-Programming structure and explain each part of it | 4+4 | C-01 |
| | OR | | |
| 11(b). | List and explain different data types supported by C-Language | 8 | CO1 |
| 12(a). | Explain all the operators supported by C-language with examples | 8 | CO2 |
| | OR | | |
| 12(b). | Evaluate the following C-Expression and write the final value | 8 | CO2 |

$$X = ((2 + 6 / 2 + 3 * 6) - ((4 + 6) / 2 + 5) / 10) + 1) / 5.0$$

13(a). Write a program to print the following pattern 8 CO3

```

      1
     1 2 1
    1 2 3 2 1
  
```

 “ “ up to nth level

OR

13. a) Explain any four control statements in C-language. 6 CO3

14(a). Write eight differences between structures and unions 8 CO3
 (OR)

14(b). Write a C-program to input 3X4 matrix and print in the form of matrix 8 CO3

15(a). Write a program to calculate the factorial of a function using recursive concept with the help of parameter passing and return value 8 CO3 & CO5

(OR)

15(b). Explain any four file handling functions. 2X4=8 CO4

PART-C

Note: Answer the following question, This question carries 10 Marks 1 X10=10M

16. Write C-Program to print only prime numbers from the first n Fibonacci numbers- 10M CO3

ENGINEERING DRAWING

Subject Title	Subject Code	Periods/Week	Periods Per Year
Engineering Drawing	CM-107	06	180

TIME SCHEDULE

S.No	Major Topics	No. of Drawing plates	No. Of Periods	Marks to be awarded	Short Answer Questions	Essay type Questions
1	Importance of Engineering Drawing	--	01	-	-	-
2	Engineering Drawing Instruments	01	05	-	-	-
3	Free hand lettering & Numbering	01	06	05	1	-
4	Dimensioning Practice	01	09	05	1	-
5	Geometrical constructions	03	24	15	1	1
6	Projections of Points, Lines, Planes & Auxiliary Planes	03	21	05	1	
7	Projections of Solids	01	12	10		1
8	Sections of Solids	01	21	10	-	1
9	Orthographic Projections	01	30	10	-	1
10	Isometric Views	01	30	10	-	1
11	Development of surfaces	01	21	10	-	1
Total		14	180	80	04	06

Course Objectives and Course Outcomes

Course Objectives	Upon completion of the course the student shall able to understand the basic graphic skills and use them in preparation of engineering drawings, their reading and interpretation.		
Course Outcomes	CO1	CM-107.1	Practice the use of engineering drawing instruments
	CO2	CM-107.2	Familiarise with the conventions to be followed in engineering drawing as per BIS
	CO3	CM -107.3	Construct the i) basic geometrical constructions ii) engineering curves
	CO4	CM -107.4	Visualise and draw the orthographic projections of i) Points ii) Linesiii) Regular Planes iv) Regular Solids V) Sections of Regular Solids
	CO5	CM -107.5	Visualise and draw the isometric views of machine components
	CO6	CM -107.6	Draw the developments of surfaces of regular solids and use them to make the components used in daily life

PO-CO Mapping

Course Code :CM-107	Course Title: ENGINEERING DRAWING Number of Course Outcomes: 06			No. of Periods: 180	
POs	Mapped with CO No.	CO Periods addressing PO in Column 1		Level (1,2,3)	Remarks
		No	%		
PO1	CO2, CO3, CO4, CO5, CO6	50	42	3	>40% Level 3 Highly addressed 25% to 40% Level 2 Moderately Addressed 5 to 25% Level 1 Low addressed <5% Not addressed
PO2	CO1, CO2, CO3, CO4, CO5, CO6	30	25	2	
PO3	CO1, CO2, CO3, CO4, CO5, CO6	30	25	2	
PO4					
PO5					
PO6					
PO7	CO1, CO2, CO3, CO4, CO5, CO6	10	08	1	

CM-107	PO1	PO2	PO3	PO4	PO5	PO6	PO7	PSO1	PSO2	PSO3
CO1	3	2	2				1	2	3	1
CO2	3	2	2				1	2	3	1
CO3	3	2	2				1	2	3	1
CO4	3	2	2				1	2	3	1
CO5	3	2	2				1	2	3	1
CO6	3	2	2				1	2	3	1

3: High, 2: Moderate, 1: Low

LEARNING OUTCOMES

Upon completion of the course the student shall able to

1.0 Understand the basic concepts of Engineering Drawing

- 1.1 State the importance of drawing as an engineering communication medium
- 1.2 State the necessity of B.I.S. Code of practice for Engineering Drawing.
- 1.3 Explain the linkages between Engineering drawing and other subjects of Mechanical Engineering.

2.0 Use of Engineering Drawing Instruments

- 2.1 Select the correct instruments to draw the different lines / curves.
- 2.2 Use correct grade of pencil to draw different types of lines and for different purposes
- 2.3 Select and use appropriate scales for a given application.
- 2.4 Identify different drawing sheet sizes as per I.S. and Standard Lay- outs.
- 2.5 Prepare Title block as per B.I.S. Specifications.
- 2.6 Identify the steps to be taken to keep the drawing clean and tidy.

Drawing Plate 1: (Having two exercises)

3.0 Write Free Hand Lettering and Numbers

- 3.1 Write titles using vertical lettering and numerals of 7mm, 10mm and 14mm height.
- 3.2 Write titles using sloping lettering and numerals of 7mm, 10mm and 14mm height.
- 3.3 Select suitable sizes of lettering for different layouts and applications.

Drawing plate 2: (Having 5 to 6 exercises)

4.0 Understand Dimensioning Practice

- 4.1 Acquaint with the conventions, notations, rules and methods of dimensioning in engineering drawing as per the B.I.S.
- 4.2 Dimension a given drawing using standard notations and desired system of dimensioning.

Drawing Plate 3: (Having 08 to 10 exercises)

5.0 Apply Principles of Geometric Constructions

- 5.1 Practice the basic geometric constructions like i) dividing a line into equal parts
ii) exterior and interior tangents to the given two circles
iii) tangent arcs to two given lines and arcs
- 5.2 Draw any regular polygon using general method when i) side length is given
ii) inscribing circle radius is given iii) describing circle radius is given
- 5.2 Draw the conics using general and special methods,
- 5.3 Draw the engineering curves like i) involute ii) cycloid iii) helix
- 5.4 Identify the applications of the above constructions in engineering practice.

Drawing Plate -4: Having problems up to construction of polygon

Drawing Plate -5: Having problems of construction of conics

Drawing Plate -6: Having problems of construction of involute, cycloid and helix

6.0 Projections of points, lines, planes & auxiliary planes

6.1 Explain the basic principles of the orthographic projections

6.2 Visualise and draw the projection of a point with respect to reference planes (HP&VP)

6.3 Visualise and draw the projections of straight lines with respect to two reference
Planes (up to lines parallel to one plane and inclined to other plane)

6.4 Visualise and draw the projections of planes (up to planes perpendicular to one plane and
inclined to other plane)

6.5 Identify the need of Auxiliary views for a given engineering drawing.

6.5 Draw the auxiliary views of a given engineering component .

Drawing Plate -7: Having problems up to projection of points and Lines (15 exercises)

Drawing Plate -8: Having problems of projection of planes (6 exercises)

Drawing Plate -9: Having problems on auxiliary planes (Having 4 exercises)

7.0 Draw the Projections of Solids

7.1 Visualise and draw the projections of regular solids like Prisms, Pyramids, Cylinder,
Cone...(up to axis of solids parallel to one plane and inclined to other plane)

Drawing plate No.10: Having problems of projection of solids (10 exercises)

8.0 Appreciate the need of Sectional Views

8.1 Identify the need to draw sectional views.

8.2 Differentiate between true shape and apparent shape of section

8.3 Draw sectional views and true sections of regular solids by applying the principles of
hatching.

Drawing Plate-11: Having problems of section of solids (6 exercises)

9.0 Apply principles of orthographic projection

9.1 Draw the orthographic views of an object from its pictorial drawing.

9.2 Draw the minimum number of views needed to represent a given object fully.

Drawing Plate 12 : (Having 10 to 12 exercises)

10.0 Prepare pictorial drawings

10.1 identify the need of pictorial drawings.

10.2 Differentiate between isometric scale and true scale.

10.3 Prepare Isometric views from the given orthographic drawings.

Drawing plate 13: (Having 10 to 12 exercises)

11.0 Interpret Development of surfaces of different solids

11.1 State the need for preparing development drawing.

11.2 Draw the development of simple engineering objects and their truncations (cubes, prisms, cylinders, cones, pyramid)

11.3 Prepare development of surface of engineering components like

i) funnel ii) 90° elbow iii) Tray

Drawing plate No. 14: (Having 05 exercises)

Competencies and Key competencies to be achieved by the student

S.No	Major topic	Key Competency
1.	Importance of Engineering Drawing	<ul style="list-style-type: none">• Explain the linkages between Engineering drawing and other subjects of study in Diploma course.
2.	Engineering Drawing Instruments	<ul style="list-style-type: none">• Select the correct instruments to draw various entities in different orientation
3.	Free hand lettering & Numbering	<ul style="list-style-type: none">• Write titles using sloping and vertical lettering and numerals as per B.I.S (Bureau of Indian standards)
4.	Dimensioning Practice	<ul style="list-style-type: none">• Dimension a given drawing using standard notations and desired system of dimensioning
5.	Geometrical construction	<ul style="list-style-type: none">• Construct ellipse, parabola, rectangular hyperbola, involute, cycloid and helix from the given data.
6.	Projection of points, Lines, Planes & Solids	<ul style="list-style-type: none">• Draw the projections of points, straight lines, planes & solids with respect to reference planes (HP& VP)
7.	Auxiliary views	<ul style="list-style-type: none">• Draw the auxiliary views of a given Engineering component• Differentiate between Auxiliary view and apparent view
8.	Sections of Solids	<ul style="list-style-type: none">• Differentiate between true shape and apparent shape of section• Apply principles of hatching.• Draw simple sections of regular solids
9.	Orthographic Projection	<ul style="list-style-type: none">• Draw the minimum number of views needed to represent a given object fully.
10.	Isometric Views	<ul style="list-style-type: none">• Differentiate between isometric scale and true scale.• Draw the isometric views of given objects,.
11.	Development of surfaces	<ul style="list-style-type: none">• Prepare development of Surface of regular solids and other components like i) funnel ii) 90° elbow iii) Tray

COURSE CONTENTS:

NOTES:

- 1. B.I.S Specification should invariably be followed in all the topics.**
- 2. A-3 Size Drawing Sheets are to be used for all Drawing Practice Exercises.**

1.0 The importance of Engineering Drawing

Explanation of the scope and objectives of the subject of Engineering Drawing Its importance as a graphic communication -Need for preparing drawing as per standards – SP-46 –1988 – Mention B.I.S - Role of drawing in -engineering education – Link between Engineering drawing and other subjects of study.

2.0 Engineering drawing Instruments

Classifications: Basic Tools, tools for drawing straight lines, tools for curved lines, tools for measuring distances and special tools like mini drafter & drafting machine – Mentioning of names under each classification and their brief description -Scales: Recommended scales reduced & enlarged -Lines: Types of lines, selection of line thickness - Selection of Pencils -Sheet Sizes: A0, A1, A2, A3, A4, A5, Layout of drawing sheets in respect of A0, A1, A3 sizes, Sizes of the Title block and its contents - Care and maintenance of Drawing Sheet,

3.0 Free hand lettering & numbering

Importance of lettering – Types of lettering -Guide Lines for Lettering
Practicing of letters & numbers of given sizes (7mm, 10mm and 14mm)
Advantages of single stroke or simple style of lettering - Use of lettering stencils

4.0 Dimensioning practice

Purpose of engineering Drawing, Need of B.I.S code in dimensioning -Shape description of an Engineering object -Definition of Dimensioning size description -Location of features, surface finish, fully dimensioned Drawing -Notations or tools of dimensioning, dimension line extension line, leader line, arrows, symbols, number and notes, rules to be observed in the use of above tools -Placing dimensions: Aligned system and unidirectional system (SP-46-1988)-Arrangement of dimensions Chain, parallel, combined progressive, and dimensioning by co-ordinate methods-The rules for dimensioning standard, features “Circles (holes) arcs, angles, tapers, chamfers, and dimension of narrow spaces.

5.0 Geometric Construction

Division of a line: to divide a straight line into given number of equal parts **Construction of tangent lines:** to draw interior and exterior tangents to two circles of given radii and centre distance

Construction of tangent arcs:

i) To draw tangent arc of given radius to touch two lines inclined at given angle (acute, right and obtuse angles).

ii) Tangent arc of given radius touching a circle or an arc and a given line.

iii) Tangent arcs of radius R, touching two given circles internally and externally.

Construction of polygon: construction of any regular polygon by general method for given side length, inscribing circle radius and describing/superscribing circle radius.

Conics: Explanation of Ellipse, Parabola, Hyperbola, as sections of a double cone and a loci of a moving point, Eccentricity of above curves – Their Engg. Applications viz., Projectiles, reflectors, Cooling Towers, P-V Diagram of a Hyperbolic process - Construction of any conic section of given eccentricity by general method - Construction of ellipse by concentric circles method, Oblong Method and Arcs of circles method - Construction of parabola by rectangle method and Tangent method - Construction of rectangular hyperbola

General Curves: Involute, Cycloid and Helix, explanations as locus of a moving point, their engineering application, viz., Gear tooth profile, screw threads, springs etc. – their construction

6.0 Projection of points, lines and planes & auxiliary views

Classification of projections, Observer, Object, Projectors, Projection, Reference Planes, Reference Line, Various angles of projections –Differences between first angle and third angle projections

Projections of points in different quadrants

Projections of straight line -

- (a) Parallel to both the planes.
- (b) Perpendicular to one of the planes.
- (c) Inclined to one plane and parallel to other planes

Projections of regular planes

- (a) Plane parallel to one of the reference planes
- (b) Plane perpendicular to HP and inclined to VP and vice versa.

Auxiliary views

Need for drawing auxiliary views -Explanation of the basic principles of drawing an auxiliary views explanation of reference plane and auxiliary plane - Partial auxiliary view.

7.0 Projections of regular solids

- (a) Axis perpendicular to one of the planes
- (b) Axis parallel to VP and inclined to HP and vice versa.

8.0 Sections of Solids

Need for drawing sectional views – what is a sectional view - Hatching – Section of regular solids inclined to one plane and parallel to other plane

9.0 Orthographic Projections

Meaning of orthographic projection - Using a viewing box and a model – Number of views obtained on the six faces of the box, - Legible sketches of only 3 views for describing object - Concept of front view, top view, and side view sketching these views for a number of engg objects - Explanation of first angle projection. – Positioning of three views in First angle projection - Projection of points as a means of locating the corners of the surfaces of an object – Use of miter line in drawing a third view when other two views are given -Method of representing hidden lines -Selection of minimum number of views to describe an object fully.

10.0 Pictorial Drawings

Brief description of different types of pictorial drawing viz., Isometric, oblique, and perspective and their use - Isometric drawings: Isometric axes, angle between them, meaning of visual distortion in dimensions - Need for an isometric scale, difference between Isometric scale, and true scale - difference between Isometric view and Isometric projection - Isometric and non-Isometric lines -Isometric drawing of common features like rectangles, circular - shapes, non-isometric lines – Drawing the isometric views for the given orthographic projections -Use of box / offset method

11.0 Development of Surfaces

Need for preparing development of surface with reference to sheet metal work-Concept of true length of a line with reference to its orthographic projection when the line is (i) parallel to the plane of projection (ii) inclined to one principal and parallel to the other -Development of simple solids like cubes, prisms, cylinders, cones, pyramid and truncation of these solids-Types of development: Parallel line and radial line development -Procedure of drawing development of funnels, 90° elbow pipes, Tray.

REFERENCE BOOKS

Engineering Graphics by P I Varghese – (McGraw-hill)
Engineering Drawing by Basant Agarwal & C.M Agarwal - (McGraw-hill)
Engineering Drawing by N.D.Bhatt.
T.S.M. & S.S.M on “ Technical Drawing” prepared by T.T.T.I., Madras.
SP-46-1998 – Bureau of Indian Standards.

**BOARD DIPLOMA EXAMINATIONS
MODEL QUESTION PAPER
DME – I-YEAR
ENGINEERING DRAWING**

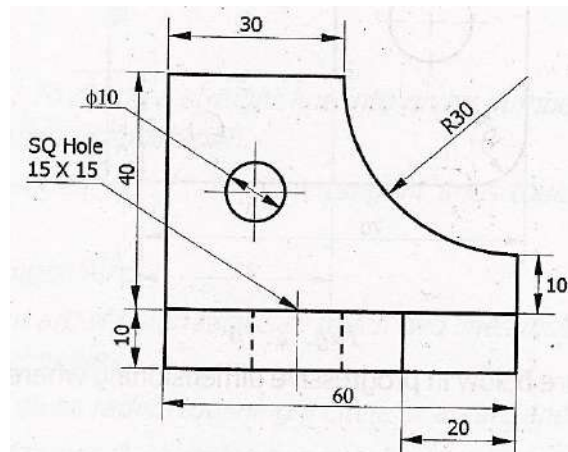
- Instructions:**
01. All the dimensions are in mm
 02. Use first angle projections only
 03. Due weightage will be given for the dimensioning and neatness

PART – A

05 x 04=20

01. Answer all the questions
02. Each question carries FIVE marks

01. Write the following in single stroke capital vertical lettering of size 10mm
ORTHOGRAPHIC PROJECTIONS
02. Redraw the given fig. and dimension it according to SP-46:1988. Assume suitable scale



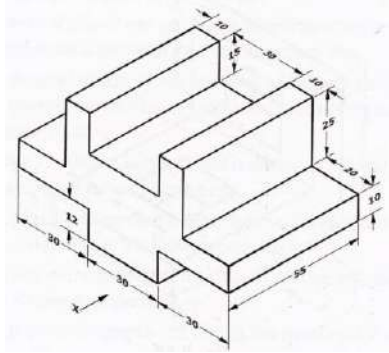
03. Draw internal common tangents to two unequal circles of radii 26mm and 20mm. The distance between the circles is 75mm.
04. Draw the projections of a regular pentagon of side length 40 mm inclined to the H.P. by 30° and perpendicular to V.P. using auxiliary plane method

PART – B

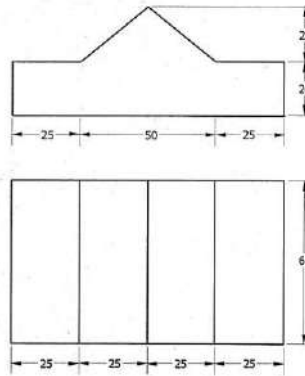
10 X 04 = 40

01. Answer any FOUR of the following questions
02. Each question carries TEN marks
05. Draw the involute of a circle of diameter 30 mm and also draw a tangent to the curve at a distance of 60 mm from the centre of the circle.
06. A right circular cone of height 80 mm and base radius 60 mm is resting in the H.P. on one of its generators and its axis is parallel to V.P. Draw the projections of the solid.
07. A regular hexagonal prism of height 80 mm and base side 40 mm is resting in the H.P. on its base. It is cut by an auxiliary inclined plane of 60° inclination passing through the axis at a distance of 30 mm from the top base. Draw the sectional views of the solid and the true section.

08. A pentagonal pyramid of height 80 mm and base side 40 mm is resting in the H.P. on its base such that one of the sides of the base is perpendicular to the V.P. It is cut by a section plane perpendicular to the V.P. and inclined to the H.P. by 60° and passing through the axis at a distance of 25 mm from the base. Draw the development of the lateral surface of the truncated pyramid.
09. Draw the front view, top view and left side view of the object shown in the fig.



10. Draw the isometric view of the component whose orthographic projections are given below



Course Code	Course title	No of periods/week	Total no of periods	Marks for FA	Marks for SA
CM-108	Programming in C Lab	06	180	40	60

S No	Chapter/ Unit Title	No. of Periods	COs Mapped
1.	Fundamentals and Input/Output statements	15	CO1,CO2
2.	Control statements	45	CO1,CO2,CO4
3.	Arrays, structures and unions	60	CO1,CO2,,CO3,CO4
4.	User defined functions, storage classes,pointers, files and macros	60	CO1,CO2,CO3,CO4,CO5
	Total	180	

COURSE OBJECTIVES	<p>Upon completion of the course the student shall be able to</p> <ol style="list-style-type: none"> 1. Edit, compile and debug execution of C-Programs 2. Learn the syntax of all the statements, keywords, user defied identifiers and usage of writing statements in C-Program. 3. Evaluate all the expressions using different primary types of data, derived data, operators and with their precedence, 4. Write C-programs using I/O statements, decision making statements. 5. Write structured and modular C-programs 6. Write C-programs on text files using different file operating modes and file pointers. 7. Write C-programs to implement dynamic memory allocation using pointer concepts
--------------------------	---

CO No	COURSE OUTCOMES
CO 1	CM-108.1 Perform Edit, compile and debug and execution of C-Programs(12)
CO 2	CM-108.2 Develop programs using different predefined functions, keywords, user defined identifiers(18)
CO 3	CM-108.3 Evaluate different expressions using available C-operators and valid data supported by C-language(24)
CO 4	CM-108.4 Develop C-programs using control statements, array's, structures, unions, files (90)

CO 5	CM-108.5	Develop C-programs using user defined functions and recursion (24)
CO 6	CM-108.6	Develop C-programs to implement dynamic memory concept(12)

CO-PO/PSO MATRIX

CO NO.	PO1	PO2	PO3	PO4	PO5	PO6	PO7	PSO1	PSO2	PSO3
CM-108.1	2	2			1			2		
CM-108.2	2	3		2					2	2
CM-108.3					2			2		3
CM-108.4	2		3	2	3	3	2		2	2
CM-108.5	2			2	3	2			2	2
CM-108.6				2	3				2	2
Average	2	2.5	3	2	2.4	2.5	2	2	2	2.2

3=Strongly mapped , 2=moderately mapped, 1=slightly mapped

LEARNING OUTCOMES:

Fundamentals and Input / Output statements

1. Exercise on structure of C Program
2. Exercise on Keywords and identifiers
3. Exercise on constants and variables
4. Execution of simple C program
5. Exercise on operators and expressions
6. Exercise on special operators
7. Exercise on input and output of characters
8. Exercise on formatted input and output
9. Exercise on escape sequence characters

Control statements

(Note: Every statement must be repeated with at least 5 different applications)

10. Exercise on simple if statement
11. Exercise on if..else statement
12. Exercise on if..else..if ladder statement
13. Exercise on switch statement
14. Exercise on conditional operator comparing with if-else statement
15. Exercise on while statement
16. Exercise on for statement
17. Exercise on do. While statement

Arrays, structures and unions

18. Exercise on one dimensional arrays
19. Exercise on two dimensional arrays
20. Exercise on strings
21. Exercise on structure
22. Exercise on union
23. Exercise on array of structures

User defined functions, storage classes, pointers, files, and macros

24. Exercise on user-defined function
25. Exercise on storage classes
26. Exercise on parameter passing techniques
27. Exercise on recursion
28. Exercise on pointers
29. Exercise on text files
30. Exercise on macros

The competencies and key competencies to be achieved by the student

S.N o.	Name of the experiment	Objectives	Key Competencies
1	Exercise on structure of C program	For a given C program, identify the different building blocks	❖ Identify different building block in a C program
2	Exercise on Keywords and identifiers	For a given C program identify the keywords and identifiers	❖ Identify different keywords ❖ Check whether the keywords are in lowercase ❖ Differentiate identifiers and keywords
3	Exercise on constants and variables	For a given C program identify the constants and variables	❖ Identify the constants ❖ Identify the variables ❖ Declare variables with proper names ❖ Know the assignment of values to variables
4	Execution of simple C program	Execute a simple C program	❖ Acquaint with C program editing ❖ Compile the program ❖ Rectify the syntactical errors ❖ Execute the program
5	Exercise on operators and expressions	Write a C program that uses different arithmetic operators	❖ Identify different arithmetic operators ❖ Build arithmetic expressions ❖ Identify the priorities of operators ❖ Evaluate arithmetic expression ❖ Compile the program ❖ Rectify the syntactical errors ❖ Execute the program ❖ Check the output for its correctness
6	Exercise on special operators	Write a C program that uses special operators	❖ Identify different special operators ❖ Build expressions using special operators ❖ Compile the program ❖ Rectify the syntactical errors ❖ Execute the program ❖ Check the output for its correctness

7	Exercise on input and output of characters	Write a C program for reading and writing characters	<ul style="list-style-type: none"> ❖ Know the use of get char() function ❖ Know the use of put char() function ❖ Compile the program ❖ Rectify the syntactical errors ❖ Execute the program ❖ Check whether the correct output is printed for the given input
8	Exercise on formatted input and output	Write a C program using formatted input and formatted output	<ul style="list-style-type: none"> ❖ Know the use of format string for different types of data in scan f() function ❖ Know the use of format string for different types of data in print f() function ❖ Check whether the data is read in correct format ❖ Check whether the data is printed in correct format
9	Exercise on Escape Sequence Characters	Write a C program using Escape Sequence Characters	<ul style="list-style-type: none"> ❖ Know the use of Escape sequence characters ❖ Use the Escape sequence characters ❖ Check whether the data is read in correct format ❖ Rectify the syntax errors ❖ Check the output for correctness
10	Exercise on simple if statement	Write a C program using simple if statement	<ul style="list-style-type: none"> ❖ Build a relational expression ❖ Use the if statement for decision making ❖ Rectify the syntax errors ❖ Check the output for correctness
11	Exercise on if.. else statement	Write a C program using if.. else statement	<ul style="list-style-type: none"> ❖ Build a relational expression ❖ Use the if.. else statement for decision making ❖ Rectify the syntax errors ❖ Check the output for correctness
12	Exercise on else..if ladder statement	Write a C program using else..if ladder statement	<ul style="list-style-type: none"> ❖ Use else.. if ladder statements with correct syntax ❖ Rectify the syntax errors ❖ Debug logical errors ❖ Check the output for correctness
13	Exercise on switch statement	Write a C program using switch statement	<ul style="list-style-type: none"> ❖ Use switch statement with correct syntax ❖ Identify the differences between switch and else..if ladder ❖ Rectify the syntax errors ❖ Debug logical errors ❖ Check the output for correctness

14	Exercise on conditional operator	Write a C program using (? :) conditional operator	<ul style="list-style-type: none"> ❖ Build the three expressions for conditional operator ❖ Use conditional operator with correct syntax ❖ Rectify the syntax errors ❖ Debug logical errors ❖ Differentiate conditional operator and if..else statement
15	Exercise on while statement	Write a C program using while statement	<ul style="list-style-type: none"> ❖ Build the termination condition for looping ❖ Use while statement with correct syntax ❖ Check whether correct number of iterations are performed by the while loop ❖ Rectify the syntax errors ❖ Debug logical errors
16	Exercise on for statement	Write a C program using for statement	<ul style="list-style-type: none"> ❖ Build the initial, increment and termination conditions for looping ❖ Use for statement with correct syntax ❖ Rectify the syntax errors ❖ Debug logical errors ❖ Check whether correct number of iterations are performed by the for loop ❖ Differentiate for and while statements
17	Exercise on do..while statement	Write a C program using do statement	<ul style="list-style-type: none"> ❖ Build the termination condition for looping ❖ Use do statement with correct syntax ❖ Rectify the syntax errors ❖ Debug logical errors ❖ Check whether correct number of iterations are performed by the while loop ❖ Differentiate do..while, while and for statements
18	Exercise on one dimensional arrays	Write a C program to create and access one dimensional array	<ul style="list-style-type: none"> ❖ Create a one dimensional array with correct syntax ❖ Store elements into array ❖ Read elements from array ❖ Validate boundary conditions while accessing elements of array ❖ Rectify the syntax errors ❖ Debug logical errors ❖ Check for the correctness of output for the given input
19	Exercise on two dimensional arrays	Write a C program to create and access two dimensional array	<ul style="list-style-type: none"> ❖ Create a two dimensional array with correct syntax ❖ Store elements into array ❖ Read elements from array ❖ Validate boundary conditions while accessing elements of array ❖ Rectify the syntax errors

			<ul style="list-style-type: none"> ❖ Debug logical errors ❖ Check for the correctness of output for the given input
20	Exercise on strings	Write a C program for reading and writing strings	<ul style="list-style-type: none"> ❖ Declare and initialize string variables ❖ Read strings from keyboard ❖ Print strings to screen
21	Exercise on structure	Write a C program using structure	<ul style="list-style-type: none"> ❖ Define a structure with correct syntax ❖ Identify different members of a structure ❖ Declare a structure variable ❖ Access different members of structure ❖ Observe the size of the structure ❖ Rectify the syntax errors ❖ Debug logical errors ❖ Check for the correctness of output for the given input
22	Exercise on union	Write a C program using union	<ul style="list-style-type: none"> ❖ Define a union with correct syntax ❖ Identify different members of a union ❖ Declare a union variable ❖ Access different members of union ❖ Observe the size of the union ❖ Rectify the syntax errors ❖ Debug logical errors ❖ Check for the correctness of output for the given input
23	Exercise on array of structures	Write a C program to create an array of structures and store and retrieve data from that array	<ul style="list-style-type: none"> ❖ Define a structure with correct syntax ❖ Identify different members of a structure ❖ Declare a structure variable ❖ Create an array of structure ❖ Access individual element of the array of structure ❖ Access different members of structure ❖ Rectify the syntax errors ❖ Debug logical errors ❖ Check for the correctness of output for the given input
24	Exercise on user-defined function	Write a C program to define and call user-defined functions	<ul style="list-style-type: none"> ❖ Identify the different parts of function declaration ❖ Define function with correct syntax ❖ Classify functions based on it parameters and return types ❖ Identify parameters passed ❖ Identify parameter passing method used ❖ Identify return value ❖ Rectify the syntax errors ❖ Debug logical errors ❖ Check for the correctness of output for the given input

25	Exercise on storage classes	Write a C program using different storage classes	<ul style="list-style-type: none"> ❖ Know the use of different storage classes ❖ Use the different storage classes ❖ Check whether the scope of variables is correctly defined or not. ❖ Rectify the syntax errors ❖ Check the output for correctness
26	Exercise on parameter passing techniques	Write a C program using parameter passing techniques	<ul style="list-style-type: none"> ❖ Know the use of parameter passing ❖ Use the different parameter passing techniques ❖ Check whether the parameters passed correctly or not. ❖ Rectify the syntax errors ❖ Check the output for correctness
27	Exercise on recursion	Write a C program using recursion	<ul style="list-style-type: none"> ❖ Identify where recursive call is made in the function ❖ Validate the termination condition ❖ Rectify the syntax errors ❖ Debug logical errors ❖ Check for the correctness of output for the given input
28	Exercise on pointers	Write a C program using pointer data type	<ul style="list-style-type: none"> ❖ Declare pointer variable ❖ Initialize pointer variable ❖ Access a variable through its pointer ❖ Rectify the syntax errors ❖ Debug logical errors ❖ Check for the correctness of output for the given input
29	Exercise on text files	Write a C program to create a text file, write data into it and read data from it	<ul style="list-style-type: none"> ❖ Define a file pointer ❖ Use the various modes of file opening ❖ Close the file ❖ Write text into file ❖ Read text from file ❖ Rectify the syntax errors ❖ Debug logical errors ❖ Check for the correctness of output for the given input
30	Exercise on macros	Write a C program using macros	<ul style="list-style-type: none"> ❖ Know the need of macros ❖ Use the macros/pre-processor directives ❖ Rectify the syntax errors ❖ Debug logical errors ❖ Check for the correctness of output for the given input

**PHYSICS LAB PRACTICE
(C-20 CURRIUCULUM COMMON TO ALL BRANCHES)**

Subject Code	Subject Title	Periods per week	Total periods per year
C-109 A	Physics Laboratory	03	45

TIMESCHEDULE

S.No	Name of the Experiment	No.of Periods
1.	Hands on practice on Vernier Calipers	03
2.	Hands on practice on Screw gauge	03
3.	Verification of Parallelogram law of forces and Triangle law of forces	03
4.	Simple pendulum	03
5.	Velocity of sound in air – (Resonance method)	03
6.	Focal length and Focal power of convex lens (Separate & Combination) (Single	03
7.	Refractive index of solid using traveling microscope	03
8.	Boyle's law verification	03
9.	Meter bridge	03
10.	Mapping of magnet lines of force and locate null points	03
	DEMONSTRATION EXPERIMENTS	
11.	Surface tension of liquid using traveling microscope	03
12.	Coefficient of viscosity by capillary method	03
	Revision	06
	Test	03
	Total	45

Objectives:

Upon completion of the course the student shall be able to

- 1.0 Practice with Vernier calipers to determine the volumes and areas of a cylinder and sphere and their comparison etc .
- 2.0 Practice with Screw gauge to determine thickness of a glass plate, cross sectional area of a wire and volumes of sphere and also their comparison etc
- 3.0 Verify the parallelogram law and Triangle law
- 4.0 Determine the value of acceleration due to gravity using Simple Pendulum
- 5.0 Determine the velocity of sound in air at room temperature and its value at zero degree centigrade.
- 6.0 Calculate the Focal length and focal power of convex lenses using distant object method , U-V method , U-V graph and $1/U - 1/V$ graph methods and their comparison.
- 7.0 Determine the refractive index of a solid using travelling microscope.
- 8.0 Verify the Boyle's law employing a Quill tube.
- 9.0 Determine the specific resistance of material of a wire using Meter Bridge.
- 10.0 Drawing magnetic lines of force under N-S and N-N methods and locate null points.

- 11.0 Determine the surface tension of a liquid using travelling Microscope (**Demo**)
 12.0 Determine the viscosity of a liquid using capillary method (**Demo**)

Competencies and Key competencies to be achieved by the student

Name of the Experiment	Competencies	Key competencies
1. Hands on practice on Vernier Calipers(03)	<ul style="list-style-type: none"> • Find the Least count • Fix the specimen in posit • Read the scales • Calculate the physical quantities of given object 	<ul style="list-style-type: none"> • Read the scales • Calculate the requisite physical quantities of given objects
2. Hands on practice on Screw gauge(03)	<ul style="list-style-type: none"> • Find the Least count • Fix the specimen in posit • Read the scales • Calculate thickness of glass place and cross section of wire and other quantities 	<ul style="list-style-type: none"> • Read the scales • Calculate thickness of given glass plate • Calculate cross section of wire and other quantities
3. Verification of Parallelogram law of forces and Triangle law of forces(03)	<ul style="list-style-type: none"> • Fix suitable weights • Note the positions of threads on drawing sheet • Find the angle at equilibrium point • Construct parallelogram • Compare the measured diagonal • Construct triangle • Find the length of sides • Compare the ratios 	<ul style="list-style-type: none"> • Find the angle at equilibrium point • Constructing parallelogram • Construct triangle • Compare the ratios of force and length
4. Simple pendulum(03)	<ul style="list-style-type: none"> • Fix the simple pendulum to the stand • Adjust the length of pendulum • Find the time for number of oscillations • Find the time period • Calculate the acceleration due to gravity • Draw I-T and I-T² graph 	<ul style="list-style-type: none"> • Find the time for number of oscillations • Find the time period • Calculate the acceleration due to gravity • Draw I-T and I-T² graph

<p>5. Velocity of sound in air –Resonance method (03)</p>	<ul style="list-style-type: none"> • Arrange the resonance apparatus • Adjust the reservoir level for booming sound • Find the first and second resonating lengths • Calculate velocity of sound 	<ul style="list-style-type: none"> • Adjust the reservoir level • Find the first and second resonating lengths • Calculate velocity of sound at room temperature • Calculate velocity of sound at 0⁰ C
<p>6. Focal length and Focal power of convex lens (Separate & Combination) (03)</p>	<ul style="list-style-type: none"> • Fix the object distance • Find the Image distance • Calculate the focal length and power of convex lens and combination of convex lenses • Draw u-v and 1/u – 1/v graphs 	<ul style="list-style-type: none"> • Calculate the focal length and power of convex lens • Draw u-v and 1/u – 1/v graphs
<p>7. Refractive index of solid using traveling microscope(03)</p>	<ul style="list-style-type: none"> • Find the least count of vernier on microscope • Place the graph paper below microscope • Read the scale • Calculate the refractive index of glass slab 	<ul style="list-style-type: none"> • Read the scale • Calculate the refractive index of glass slab
<p>8. Boyle’s law verification (03)</p>	<ul style="list-style-type: none"> • Note the atmospheric pressure • Fix the quill tube to retort stand • Find the length of air column • Find the pressure of enclosed air • Find and compare the calculated value P x l 	<ul style="list-style-type: none"> • Find the length of air column • Find the pressure of enclosed air • Find the value P x l

9. Meter bridge(03)	<ul style="list-style-type: none"> • Make the circuit connections • Find the balancing length • Calculate unknown resistance • Find the radius of wire • Calculate the specific resistance 	<ul style="list-style-type: none"> • Find the balancing length • Calculate unknown resistance • Calculate the specific resistance
10. Mapping of magnet lines of force(03)	<ul style="list-style-type: none"> • Draw magnetic meridian • Placed the bar magnet in NN and NS directions • Draw magnetic lines of force • Locate the neutral points along equatorial and axial lines 	<ul style="list-style-type: none"> • Draw magnetic lines of force • Locate the neutral points along equatorial and axial lines
11. Surface tension of liquid using traveling microscope(03)	<ul style="list-style-type: none"> • Find the least count of vernier on microscope • Focus the microscope to the lower meniscus & bent pin • Read the scale • Calculate height of liquid rise • Calculate the surface tension of water 	<ul style="list-style-type: none"> • Read the scale • Calculate height of liquid rise • Calculate the surface tension of water

12.. Coefficient of viscosity by capillary method(03)	<ul style="list-style-type: none"> • Find the least count of vernier • Fix the capillary tube to aspiratory bottle • Find the mass of collected water • Find the pressure head • Calculate rate of volume of liquid collected • Find the radius of capillary tube • Calculate the viscosity of water using capillary method 	<ul style="list-style-type: none"> • Find the pressure head • Calculate rate of volume of liquid collected • Find the radius of capillary tube • Calculate the viscosity of water
---	--	---

Scheme of Valuation for end Lab Practical Examination :

- A. Writing Aim, Apparatus, Formula, Graph, Precautions carries 10 (Ten) Marks
 B. For Drawing the table, taking Readings, Calculation work, Drawing the graph, finding result carries 15 (Fifteen) Marks
 C. Viva Voice 05 (Five) Marks

Total

30 (Thirty) Marks

➤ Course outcomes

Course Outcomes	CO1	Experiments with Vernier calipers, Screw gauge, Parallelogram law and Triangle law
	CO2	Experiments with Simple pendulum, Resonance apparatus (Velocity of sound in air)
	CO3	Experiments with Convex lens, Refractive index of solid by travelling microscope
	CO4	Experiments with quill tube (Boyles law verification), Meter bridge, Mapping of magnetic lines of force
	CO5	Experiments with Surface tension and Viscosity

➤ COs-PO mapping strength (as per given table)

	PO1	PO2	PO3	PO4	PO5	PO6	PO7
CO1	3			1	1	1	1
CO2	3	2	2		1		
CO3	3		2			1	2
CO4	3	2			2		
CO5	3		1	2		1	2

3 = strongly mapped 2= moderately mapped 1= slightly mapped

CHEMISTRY LABORATORY
(C-20 curriculum common to all Branches)

Subject Code	Subject Title	Periods per week	Total periods per year
CM - 109B	Chemistry Laboratory	03	45

CO1	Operate and practice volumetric apparatus and preparation of standard solution
CO2	Evaluate and judge the neutralization point in acid base titration
CO3	Evaluate the end point of reduction and oxidation reaction
CO4	Judge the stable end point of complex formation, stable precipitation
CO5	Judge operate and demonstrate and perform precise operations with instrument for investigation of water pollution parameters

PO CO mapping

Course code CM-109B	Chemistry Laboratory Cos;5			periods 45
	Mapped with CO No	CO periods addressing PO in Col 1 NO	Level 1,2,3	remarks
	CO1,CO2,CO3,CO4,CO5			>40% level 3 (highly addressed) 25% to 40% level2(moderately addressed 5% to 25% level1 (Low addressed < 5%(not addressed)
	CO1,CO2,CO3,CO4,CO5			
	CO1,CO2,CO3,CO4,CO5			
	CO2,CO3,CO4,CO5			

COs-POs mapping strength (as per given table)

	PO1	PO2	PO3	PO4	PO5	PO6	PO7	PSO1	PSO2	PSO3
CO1	2	3		1				1		
CO2	2	3		2	2			1		
CO3	2	3		2	2			1		
CO4	2	3		2	2			1		
CO5	2	3		2	2			1		

3=strongly mapped
2= moderately mapped
1= slightly mapped

Note:

The gaps in CO and PO mapping will be achieved by one or more appropriate activities from the following:

- i) Seminars ii) Tutorials iii) Guest Lectures iv) Assignments v) Quiz competitions vi) Industrial visit
vii) Tech Fest viii) Mini project ix) Group discussions x) Virtual classes xi) Library visit for e-books

TIMESCHEDULE

S.No	Name of the Experiment	No.of Periods	Mapped with COs
1.	a) Recognition of chemical substances and solutions used in the laboratory by senses. b) Familiarization of methods for Volumetric analysis	03	CO1
2.	Preparation of Std Na_2CO_3 and making solutions of different	03	CO1
3.	Estimation of HCl solution using Std. Na_2CO_3 solution	03	CO2
4.	Estimation of NaOH using Std. HCl solution	03	CO2
5.	Estimation of H_2SO_4 using Std. NaOH solution	03	CO2
6.	Estimation of Mohr's Salt using Std. KMnO_4	03	CO3
7.	Determination of acidity of water sample	03	CO2
8.	Determination of alkalinity of water sample	03	CO2
9.	Determination of total hardness of water using Std. EDTA	03	CO4
10.	Estimation of Chlorides present in water sample	03	CO4
11.	Estimation of Dissolved Oxygen(D.O)in water sample	03	CO5
12.	Determination of pH using pH meter	03	CO5
13.	Determination of conductivity of water and adjusting ionic	03	CO5
14.	Determination of turbidity of water	03	CO5
15.	Estimation of total solids present in water sample	03	CO5
	Total:	45	

Objectives:**Upon completion of the course the student shall be able to**

- 1.0 Practice volumetric measurements (using pipettes, measuring jars, volumetric flask, burettes) and gravimetric measurements (using different types of balances), making dilutions, etc. To identify the chemical compounds and solutions by senses.
- 2.0 Practice making standard solutions with pre weighed salts and to make solutions of desired dilutions using appropriate techniques.
- 3.0 Conduct titrations adopting standard procedures and using Std. Na_2CO_3 solution for estimation of HCl
- 4.0 Conduct titrations adopting standard procedures and using Std. HCl solution for estimation of NaOH
- 5.0 Conduct titrations adopting standard procedures and using Std. NaOH solution for estimation of H_2SO_4
- 6.0 Conduct titrations adopting standard procedures and using Std. KMnO_4 solution for estimation of Mohr's Salt

- 7.0 Conduct titrations adopting standard procedures to determine the acidity of given samples of water (One ground water and one surface / tap water, and rain water if available)
- 8.0 Conduct titrations adopting standard procedures to determine the alkalinity of given samples of water (One ground water and one surface / tap water)
- 9.0 Conduct titrations adopting standard procedures to determine the total hardness of given samples of water (One ground water and one surface / tap water) using Std. EDTA solution
- 10.0 Conduct titrations adopting standard procedures to determine the chlorides present in the given samples of water and wastewater (One ground water and one surface / tap water)
- 11.0 Conduct the test using titrometric / electrometric method to determine Dissolved Oxygen (D.O) in given water samples (One sample from closed container and one from open container / tap water)
- 12.0 Conduct the test on given samples of water / solutions (like soft drinks, sewage, etc.) to determine their pH using standard pH meter
- 13.0 Conduct the test on given samples of water / solutions
- To determine conductivity
 - To adjust the ionic strength of the sample to the desired value
- 14.0 Conduct the test on given samples of solutions (coloured and non coloured) to determine their turbidity in NTU
- 15.0 To determine the total solids present in given samples of water (One ground water and one surface / tap water)

Competencies and Key competencies to be achieved by the student

Name of the Experiment (No of Periods)	Competencies	Key competencies
Familiarization of methods for Volumetric analysis. Recognition of chemical substances And solutions (03)	-	--
Preparation of Std Na_2CO_3 and making solutions of different dilution(03)	<ul style="list-style-type: none"> ▪ Weighing the salt to the accuracy of .01 mg ▪ Measuring the water with volumetric flask, measuring jar, volumetric pipette and graduated pipette ▪ Making appropriate dilutions 	<ul style="list-style-type: none"> ▪ Weighing the salt to the accuracy of .01 mg ▪ Measuring the water with volumetric flask, measuring jar, volumetric pipette and graduated pipette ▪ Making appropriate dilutions
Estimation of HCl solution using Std. Na_2CO_3 solution (03)	<ul style="list-style-type: none"> ▪ Cleaning the glassware and rinsing with appropriate solutions 	<ul style="list-style-type: none"> ▪ Making standard solutions ▪ Measuring accurately the standard solutions and titrants
Estimation of NaOH using Std.HCl solution (03)	<ul style="list-style-type: none"> ▪ Making standard solutions ▪ Measuring accurately the standard solutions and titrants 	<ul style="list-style-type: none"> ▪ Effectively Controlling the flow of the titrant
Estimation of H_2SO_4 using Std.NaOH solution (03)		<ul style="list-style-type: none"> ▪ Identifying the end point

Estimation of Mohr's Salt using Std. KMnO_4 (03)	<ul style="list-style-type: none"> ▪ Filling the burette with titrant ▪ Fixing the burette to the stand ▪ Effectively Controlling the flow of the titrant ▪ Identifying the end point ▪ Making accurate observations ▪ Calculating the results 	<ul style="list-style-type: none"> ▪ Making accurate observations
Determination of acidity of water sample (03)		
Determination of alkalinity of water sample (03)		
Determination of total hardness of water using Std. EDTA solution (03)		
Estimation of Chlorides present in water sample (03)		
Estimation of Dissolved Oxygen(D.O) in water sample (By titration method) (03)		
Determination of pH using pH meter (03)	<ul style="list-style-type: none"> ▪ Familiarize with instrument ▪ Choose appropriate 'Mode' / 'Unit' ▪ Prepare standard solutions / buffers, etc. ▪ Standardize the instrument with appropriate standard solutions ▪ Plot the standard curve ▪ Make measurements accurately ▪ Follow Safety precautions 	<ul style="list-style-type: none"> ▪ Prepare standard solutions / buffers, etc. ▪ Standardize the instrument with appropriate standard solutions ▪ Plot the standard curve ▪ Make measurements accurately
Determination of conductivity of water and adjusting ionic strength to required level (03)		
Determination of turbidity of water (03)		
Estimation of total solids present in water sample (03)	<ul style="list-style-type: none"> ▪ Measuring the accurate volume and weight of sample ▪ Filtering and air drying without losing any filtrate ▪ Accurately weighing the filter paper, crucible and filtrate ▪ Drying the crucible in an oven 	<ul style="list-style-type: none"> ▪ Measuring the accurate volume and weight of sample ▪ Filtering and air drying without losing any filtrate ▪ Accurately weighing the filter paper, crucible and filtrate

SCHEME OF VALUATION

A) Writing Chemicals, apparatus ,principle and procedure	5M
B) Demonstrated competencies	20M
Making standard solutions	
Measuring accurately the standard solutions and titrants	
Effectively controlling the flow of the titrant	
Identifying the end point	
Making accurate observations	
C) Viva-voce	5M

Total	30M

Course code	Course Title	No. of Periods/Weeks	Total No. of periods	Marks for FA	Marks for SA
CM-110 (common to all branches)	Computer Fundamentals Lab	3	90	40	60

Time schedule:

S.No.	Chapter/Unit Title	No. of sessions each of 3 periods duration	No.of Periods
1.	Computer hardware Basics	2	6
2.	Windows Operating System	2	6
3.	MS Word	8	24
4.	MS Excel	7	21
5.	MS PowerPoint	5	15
6.	Adobe Photoshop	6	18
Total periods		30	90

S.No.	Chapter/Unit Title	No.of Periods	CO's Mapped
1.	Computer hardware Basics	6	CO1
2.	Windows Operating System	6	CO1
3.	MS Word	24	CO2
4.	MS Excel	21	CO3
5.	MS PowerPoint	15	CO4
6.	Adobe Photoshop	18	CO5
Total periods		90	

Course Objectives	i)To know Hardware Basics ii)To familiarize operating systems iii)To use MS Office effectively to enable to students use these skills in future courses iv) To use Adobe Photoshop in image editing.
--------------------------	---

Course Outcomes	At the end of the course students will be able to		
	CO1	C-110.1	Identify hardware and software components
	CO2	C-110.2	Prepare documents with given specifications using word processing software
	CO3	C-110.3	Use Spread sheet software to make calculation and to draw various graphs / charts.
	CO4	C-110.4	Use Power point software to develop effective presentation for a given theme or topic.
	CO5	C-110.5	Edit digital or scanned images using Photoshop

CO-PO/PSO MATRIX

CO NO.	PO1	PO2	PO3	PO4	PO5	PO6	PO7	PSO1	PSO2	PSO3
CM-110.1	3	3	3	3	3	3	3	3	2	3
CM-110.2	3	3	3	3	3	3	3	3	2	3
CM-110.3	3	3	3	3	3	3	3	3	2	3
CM-110.4	3	3	3	3	3	3	3	3	2	3
CM-110.5	3	3	3	3	3	3	3	3	2	3
Average	3	3	3	3	3	3	3	3	2	3

3=Strongly mapped , 2=moderately mapped, 1=slightly mapped

Learning Outcomes:**I. Computer Hardware Basics**

1. a).To Familiarize with Computer system and hardware connections
b).To Start and Shut down Computer correctly
c).To check the software details of the computer
2. To check the hardware present in your computer

II. Windows's operating system

3. To Explore Windows Desktop
4. Working with Files and Folders
5. Windows Accessories: Calculator – Notepad – WordPad – MS Paint

III. Practice with MS-WORD

6. To familiarize with Ribbon layout of MS Word
Home – Insert- Page layout – References – Review- View.
7. To practice Word Processing Basics
8. To practice Formatting techniques
9. To insert a table of required number of rows and columns
10. To insert Objects, Clipart and Hyperlinks
11. To use Mail Merge feature of MS Word
12. To use Equations and symbols features

IV.Practice with MS-EXCEL

13. To familiarize with MS-EXCEL layout
14. To access and enter data in the cells
15. To edit a spread sheet- Copy, Cut, Paste, and selecting Cells
16. To use built in functions and Formatting Data
17. To create Excel Functions, Filling Cells
18. To enter a Formula for automatic calculations
19. To sort and filter data in table.
20. To present data using Excel Graphs and Charts.
21. To develop lab reports of respective discipline.
22. To format a Worksheet in Excel, Page Setup and Print

V. Practice with MS-POWERPOINT

23. To familiarize with Ribbon layout features of PowerPoint 2007.
24. To create a simple PowerPoint Presentation
25. To set up a Master Slide in PowerPoint
26. To insert Text and Objects
27. To insert a Flow Charts
28. To insert a Table
29. To insert a Charts/Graphs
30. To insert video and audio
31. To practice Animating text and objects
32. To Review presentation

VI. Practice with Adobe Photoshop

33. To familiarize with standard toolbox
34. To edit a photograph.
35. To insert Borders around photograph.
36. To change Background of a Photograph.
37. To change colors of Photograph.
38. To prepare a cover page for the book in your subject area.
39. To adjust the brightness and contrast of the picture so that it gives an elegant look.
40. To type a word and apply the shadow emboss effects.

Key competencies:

Expt No	Name of Experiment	Competencies	Key competencies
1 (a).	To familiarize with Computer system and hardware connections	<ol style="list-style-type: none"> a. Identify the parts of a Computer system: i). CPU ii). Mother Board iii) Monitor iv) CD/DVD Drive v) Power Switch vi) Start Button vii) Reset Button b. Identify and connect various peripherals c. Identify and connect the cables used with computer system d. Identify various ports on CPU and connect Keyboard & Mouse 	Connect cables to external hardware and operate the computer
1 (b).	To Start and Shut down Computer correctly	<ol style="list-style-type: none"> a. Log in using the password b. Start and shut down the computer c. Use Mouse and Key Board 	<ol style="list-style-type: none"> a. Login and logout as per the standard procedure b. Operate mouse & Key Board
1 (c).	To Explore Windows Desktop	<ol style="list-style-type: none"> a. Familiarize with Start Menu, Taskbar, Icons and Shortcuts 	<ol style="list-style-type: none"> a. Access application programs using Start menu

		<ul style="list-style-type: none"> b. Access application programs using Start menu, Task manager c. Use Help support 	<ul style="list-style-type: none"> b. Use taskbar and Task manager
2.	To check the software details of the computer	<ul style="list-style-type: none"> a. Find the details of Operating System being used b. Find the details of Service Pack installed 	Access the properties of computer and find the details
3.	To check the hardware present in your computer	<ul style="list-style-type: none"> a. Find the CPU name and clock speed b. Find the details of RAM and Hard disk present c. Access Device manager using Control Panel and check the status of devices like mouse and key board d. Use My Computer to check the details of Hard drives and partitions e. Use the Taskbar 	<ul style="list-style-type: none"> a. Access device manager and find the details b. Type /Navigate the correct path and Select icon related to the details required
4.	Working with Files and Folders	<ul style="list-style-type: none"> a. Create folders and organizing files in different folders b. Use copy / paste move commands to organize files and folders 	<ul style="list-style-type: none"> a. Create files and folders Rename , arrange and search for the required folder/file
	Working with Files and Folders Continued....	<ul style="list-style-type: none"> c. Arrange icons – name wise, size, type, Modified d. Search a file or folder and find its path e. Create shortcut to files and folders (in other folders) on Desktop f. Familiarize with the use of My Documents g. Familiarize with the use of Recycle Bin 	<ul style="list-style-type: none"> b. Restore deleted files from Recycle bin

5.	To use Windows Accessories: Calculator – Notepad – WordPad – MS Paint	<ul style="list-style-type: none"> a. Familiarize with the use of Calculator b. Access Calculator using Run command c. Create Text Files using Notepad and WordPad and observe the difference in file size d. Use MS paint and create .jpeg, .bmp files using MS Paint 	<ul style="list-style-type: none"> a. Use windows accessories and select correct text editor based on the situation. b. Use MS pain to create /Edit pictures and save in the required format.
6.	To familiarize with Ribbon layout of MS word. – Home – Insert- page layout- References-Review-View	<ul style="list-style-type: none"> a. Create/Open a document b. Use Save and Save as features c. Work on two Word documents simultaneously d. Choose correct Paper size and Printing options 	<ul style="list-style-type: none"> a. Create a Document and name appropriately and save b. Set paper size and print options
7.	To practice Word Processing Basics	<ul style="list-style-type: none"> a. Typing text b. Keyboard usage c. Use mouse (Left click / Right click / Scroll) d. Use Keyboard shortcuts e. Use Find and Replace features in MS- word f. Use Undo and Redo Features g. Use spell check to correct Spellings and Grammar 	<ul style="list-style-type: none"> a. Use key board and mouse to enter/edit text in the document. b. Use shortcuts c. Use spell check/ Grammar features for auto corrections.
8.	To practice Formatting techniques	<ul style="list-style-type: none"> a. Formatting Text b. Formatting Paragraphs c. Setting Tabs d. Formatting Pages e. The Styles of Word f. Insert bullets and numbers g. Themes and Templates h. Insert page numbers, header and footer 	<ul style="list-style-type: none"> a. Format Text and paragraphs and use various text styles. b. Use bullets and numbers to create lists c. Use Templates /Themes d. Insert page numbers date, headers and footers
9.	To insert a table of required number of rows and columns	<ul style="list-style-type: none"> a. Edit the table by adding the fields – Deleting rows and columns –inserting sub table – marking borders. Merging and splitting of cells in a Table b. Changing the background colour of the table c. Use table design tools 	<ul style="list-style-type: none"> a. Insert table in the word document and edit b. Use sort option for arranging data.

		<p>d. Use auto fit – fixed row/ column height/length – Even distribution of rows / columns features</p> <p>e. Convert Text to table and Table to Text</p> <p>f. Use Sort feature of the Table to arrange data in ascending/descending order</p>	
10.	To Insert objects, clipart and Hyperlinks	<p>a. Create a 2-page document. & Insert hyperlinks and t Bookmarks.</p> <p>b. Create an organization chart</p> <p>c. Practice examples like preparing an Examination schedule notice with a hyperlink to Exam schedule table.</p>	<p>a. Insert hyperlinks & Bookmarks</p> <p>b. Create organization charts/flow charts</p>
11.	To Use Mail merge feature of MS Word	<p>a. Use mail merge to prepare individually addressed letters</p> <p>b. Use mail merge to print envelopes.</p>	Use Mail merge feature
12.	To use Equations and symbols features.	<p>a. Explore various symbols available in MS Word</p> <p>b. Insert a symbol in the text</p> <p>c. Insert mathematical equations in the document</p>	Enter Mathematical symbols and Equations in the word document
13.	To Practice with MS-EXCEL	<p>a. Open /create an MS Excel spreadsheet and familiarize with MS Excel 2007 layout like MS office Button-</p> <p>b. Use Quick Access Toolbar- Title Bar- Ribbon-Worksheets- Formula Bar-Status Bar</p>	<p>a. Familiarize with excel layout and use</p> <p>b. Use various features available in toolbar</p>
14.	To access and Enter data in the cells	<p>a. Move Around a Worksheets- Quick access -Select Cells</p> <p>b. Enter Data-Edit a Cell-Wrap Text-Delete a Cell Entry-Save a File-Close Excel</p>	<p>a. Access and select the required cells by various addressing methods</p> <p>b. Enter data and edit</p>
15.	To edit spread sheet Copy, Cut, Paste, and selecting cells	<p>a. Insert and Delete Columns and Rows-Create Borders-Merge and Center</p> <p>b. Add Background Color-Change the Font, Font Size, and Font Color</p>	Format the excel sheet

		c. Format text with Bold, Italicize, and Underline-Work with Long Text-Change a Column's Width	
16.	To use built in functions and Formatting Data	a. Perform Mathematical Calculations verify -AutoSum b. Perform Automatic Calculations-Align Cell Entries	Use built in functions in Excel
17.	To enter a Formula for automatic calculations	a. Enter formula b. Use Cell References in Formulae c. Use Automatic updating function of Excel Formulae d. Use Mathematical Operators in Formulae e. Use Excel Error Message and Help	Enter formula for automatic calculations
18.	To Create Excel Functions, Filling Cells	a. Use Reference Operators b. Work with sum, Sum if , Count and Count If Functions c. Fill Cells Automatically	a. Create Excel sheets involving cross references and equations b. Use the advanced functions for conditional calculations
19.	To sort and filter data in table	a. Sort data in multiple columns b. Sort data in a row c. Sort data using Custom order d. Filter data in work sheet	a. Refine the data in a worksheet and keep it organized b. Narrow a worksheet by selecting specific choice
20.	To Practice Excel Graphs and Charts	a. Produce an Excel Pie Chart b. Produce c. Excel Column Chart	a. Use data in Excel sheet to Create technical charts and graphs Produce Excel Line Graph b. Produce a Pictograph in Excel
21.	To develop lab reports of respective discipline	Create Lab reports using MS Word and Excel	a. Insert Practical subject name in Header and page numbers in Footer
22.	To format a Worksheet in Excel, page setup and print	a. Shade alternate rows of data b. Add currency and percentage symbols c. Change height of a row and width of a column d. Change data alignment	a. Format Excel sheet b. Insert headers & footers and print

		<ul style="list-style-type: none"> e. Insert Headers and Footers f. Set Print Options and Print 	
23.	To familiarize with Ribbon layout & features of PowerPoint 2007.	<ul style="list-style-type: none"> Use various options in PowerPoint a. Home b. Insert c. Design d. Animation e. Slideshow f. View g. Review 	Access required options in the tool bar
24.	To create a simple PowerPoint Presentation	<ul style="list-style-type: none"> a. Insert a New Slide into PowerPoint b. Change the Title of a PowerPoint Slide c. PowerPoint Bullets d. Add an Image to a PowerPoint Slide e. Add a Textbox to a PowerPoint slide 	<ul style="list-style-type: none"> a. Create simple PowerPoint presentation with photographs/ClipArt and text boxes b. Use bullets option
25.	To Set up a Master Slide in PowerPoint and add notes	<ul style="list-style-type: none"> a. Create a PowerPoint Design Template b. Modify themes c. Switch between Slide master view and Normal view d. Format a Design Template Master Slide e. Add a Title Slide to a Design Template f. The Slide Show Footer in PowerPoint g. Add Notes to a PowerPoint Presentation 	<ul style="list-style-type: none"> a. Setup Master slide and format b. Add notes
26.	To Insert Text and Objects	<ul style="list-style-type: none"> a. Insert Text and objects b. Set Indents and line spacing c. Insert pictures/ clipart d. Format pictures e. Insert shapes and word art f. Use 3d features g. Arrange objects 	<ul style="list-style-type: none"> Insert Text and Objects Use 3d features
27.	To insert a Flow Chart / Organizational Charts	<ul style="list-style-type: none"> a. Create a Flow Chart in PowerPoint b. Group and Ungroup Shapes c. Use smart art 	Create organizational charts and flow charts using smart art
28.	To insert a Table	<ul style="list-style-type: none"> a. PowerPoint Tables b. Format the Table Data c. Change Table Background d. Format Series Legend 	Insert tables and format

29.	To insert a Charts/Graphs	<ul style="list-style-type: none"> a. Create 3D Bar Graphs in PowerPoint b. Work with the PowerPoint Datasheet c. Format a PowerPoint Chart Axis d. Format the Bars of a Chart e. Create PowerPoint Pie Charts f. Use Pie Chart Segments g. Create 2D Bar Charts in PowerPoint h. Format the 2D Chart e. Format a Chart Background 	Create charts and Bar graphs, Pie Charts and format.
30.	To Insert audio & video, Hyperlinks in a slide Add narration to the slide	<ul style="list-style-type: none"> a. Insert sounds in the slide and hide the audio symbol b. Adjust the volume in the settings c. Insert video file in the format supported by PowerPoint in a slide d. Use automatic and on click options e. Add narration to the slide f. Insert Hyperlinks 	<ul style="list-style-type: none"> a. Insert Sounds and Video in appropriate format. b. Add narration to the slide c. Use hyperlinks to switch to different slides and files
31.	To Practice Animation effects	<ul style="list-style-type: none"> a. Apply transitions to slides b. To explore and practice special animation effects like Entrance, Emphasis, Motion Paths & Exit 	Add animation effects
32.	Reviewing presentation	<ul style="list-style-type: none"> a. Checking spelling and grammar b. Previewing presentation c. Set up slide show d. Set up resolution e. Exercise with Rehearse Timings feature in PowerPoint f. Use PowerPoint Pen Tool during slide show g. Saving h. Printing presentation <ul style="list-style-type: none"> (a) Slides (b) Hand-out 	<ul style="list-style-type: none"> a. Use Spell check and Grammar feature b. Setup slide show c. Add timing to the slides d. Setup automatic slide show
33	To familiarize with standard toolbox	<ul style="list-style-type: none"> a. Open Adobe Photoshop b. Use various tools such as 	Open a photograph and save it in

		<ul style="list-style-type: none"> i. The Layer Tool ii. The Color & Swatches Tool iii. Custom Fonts & The Text Tool iv. Brush Tool v. The Select Tool vi. The Move Tool vii. The Zoom Tool viii. The Eraser ix. The Crop Tool x. The Fill Tool 	Photoshop
34	To edit a photograph	<ul style="list-style-type: none"> a. Use the Crop tool b. Trim edges c. Change the shape and size of a photo d. Remove the part of photograph including graphics and text 	a. Able to edit image by using corresponding tools.
35	To insert Borders around photograph	<ul style="list-style-type: none"> a. Start with a single background layer b. Bring the background forward c. Enlarge the canvas d. Create a border color e. Send the border color to the back f. Experiment with different colors 	Able to create a border or frame around an image to add visual interest to a photo
36	To change Background of a Photograph	<ul style="list-style-type: none"> a. open the foreground and background image b. Use different selection tools to paint over the image c. Copy background image and paste it on the foreground. d. Resize and/or drag the background image to reposition. e. In the Layers panel, drag the background layer below the foreground image layer. 	Able to swap background elements using the Select and Mask tool and layers.
37	To change colors of Photograph	<ul style="list-style-type: none"> a. Change colors using: <ul style="list-style-type: none"> i) Color Replacement tool ii) Hue/Saturation adjustment layer tool 	Able to control color saturation
38	To prepare a cover page for the book in subject area	<ul style="list-style-type: none"> a. open a file with height 500 and width 400 for the cover page. 	Able to prepare cover page for the book

		<ul style="list-style-type: none"> b. apply two different colors to work area by dividing it into two parts using Rectangle tool. c. Copy any picture and place it on work area → resize it using free transform tool. d. Type text and apply color and style e. Apply effects using blended options 	
39	To adjust the brightness and contrast of picture to give an elegant look	<ul style="list-style-type: none"> a. open a file. b. Go to image → adjustments → Brightness/Contrast. c. adjust the brightness and contrast. d. Save the image. 	Able to control brightness/contrast.
40	To type a word and apply the shadow emboss effects	<ul style="list-style-type: none"> a. open a file b. Select the text tool and type text. c. Select the typed text go to layer → layer style → blended option → drop shadow, inner shadow, bevel and emboss → contour → satin → gradient overlay d. Save the image. 	Able to apply shadow emboss effects

Table specifying the scope of syllabus to be covered for unit tests

Unit Test	Learning outcomes to be covered
Unit test-1	From 1 to 8
Unit test-2	From 9 to 22
Unit test-3	From 23 to 40

I Year Internal Lab Examination
UNIT TEST - I
MODEL QUESTION PAPER
COMPUTER FUNDAMENTALS LAB

SCHEME: C-20
MAX MARKS:40

SUBJ CODE: CM-110
Time:90Min

1. Identify the internal hardware components of a PC and assemble them.
2. Identify the external components or peripherals of a PC and connect them.
3. Identify the components on motherboard.
4. Perform the process of placing processor on CPU slot.
5. Perform the process of removing and placing the RAM in the corresponding slot.
6. Identify the CMOS battery and test whether it is working it or not.
7. Find details of following:
 - a) Operating System being used.
 - b) Processor name
 - c) RAM
 - d) Hard disk
8. Create a folder by your name, search a file or folder and find its path.
9. Draw the National Flag using MS Paint.
10. Create a word document that contains TEN names of your classmates (boys-5 & girls-5) and perform the following tasks:
 - a) Save the document to your desktop.
 - b) Sort the names in each list alphabetically.
 - c) Set line spacing to 1.15.
 - d) Use bullet points for the names in both lists separately.

I Year Internal Lab Examination
UNIT TEST - II
MODEL QUESTION PAPER
COMPUTER FUNDAMENTALS LAB

SCHEME: C-20
MAX MARKS:40

SUBJ CODE:CM-110
Time:90Min

1. Write individually addressed letters to your friends about the Republic Day celebration using Mail Merge.
2. Create a Word document about your college and insert page numbers in footer and College Name in header.
3. Create your class time table using Tables in MS Word.
4. Create a 2-page document about your College& insert hyperlinks for courses offered in the college and insert Bookmarks next to College Name.
5. Write individually addressed letters to your friends (at least 5 members) to intimate the External Examination time table using Mail Merge.
6. Write an equation $\frac{(x+y)^2}{(x-y)^2} = \frac{x^2+2xy+y^2}{x^2-2xy+y^2}$ in MS word.
7. Create the organizational structure of your college in MS Word.
8. Create a spread sheet by totalling marks of 3 or more subjects, then calculate percentage and hence find grade based on boundary conditions of FIVE students:
 Grades O >= 90%, A >=80%, B >=70%, C >=60%, D >=50%, E >=40%, F <40%
9. Create a Excel spread sheet for the following data, making sure that the cell marked with Category (A1) is pasted in cell A1 in the spread sheet and perform the questions below.

Category (A1)	Product Name	Quantity	Inventory	Price per Unit	Total Price
Office Supplies	Binder	2	20	12.99	25.98
Office Supplies	Pencil	20	20	0.99	
Electronics	Samsung 4K Smart TV	1	5	399.00	
Electronics	Bluetooth Speakers	4	5	44.49	
Computers	Lenovo X230 12in Laptop	2	2	279.90	

- a) Change the format of the “Total Price” column to “Currency” format.
 - b) Calculate Total Price by writing formula.
 - c) Turn on filtering for the table.
 - d) Sort the table by column “Category” from A to Z.
10. Create a spread sheet to calculate Cumulative monthly attendance for a period of Three months.

Year Internal Lab Examination
UNIT TEST - III
MODEL QUESTION PAPER
COMPUTER FUNDAMENTALS LAB

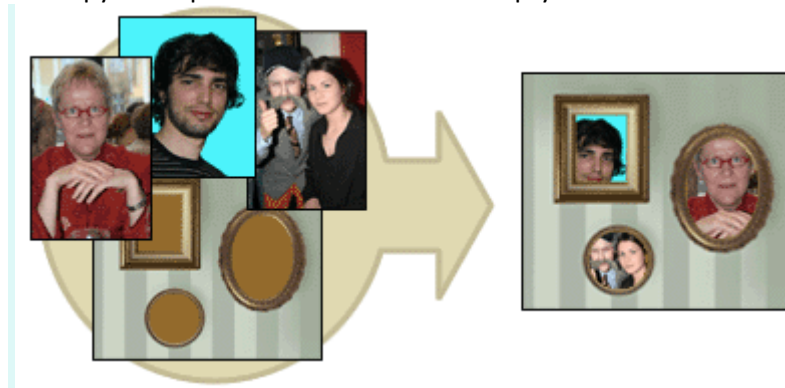
SCHEME: C-20

SUBJ CODE: CM-110

MAX MARKS:40

Time:90Min

1. Create a PowerPoint Presentation about your College in 5 slides only.
2. Create a PowerPoint Presentation on Computer Hardware in minimum 5 slides.
3. Create a PowerPoint Presentation on Computer Fundamentals with Entrance, Emphasis effects in minimum 5 slides.
4. Create a PowerPoint Presentation on any topic with special animation effects like Entrance, Motion Paths & Exit.
5. Resize the image using Photoshop.
6. Change the background of a Photograph.
7. Edit an image by using
 - a) Crop tool.
 - b) Resize the image
 - c) Save the new image with new name keeping original image as it is.
8. A Picture of two parrots (parrots.jpg) is given to you. Make anyone of one of the parrots in Black & White.
9. Convert a color image to monochrome and improve quality of photograph.
10. Copy three pictures and fit into the empty frames.



BOARD DIPLOMA EXAMINATIONS
DIPLOMA IN COMPUTER ENGINEERING
MODEL PRACTICAL QUESTION PAPER-YEAR END EXAM
COMPUTER FUNDAMENTALS LAB

SCHEME: C-20
MAX MARKS:60

SUBJ CODE:CM-110
TIME: 3HOURS

1. Identify the internal hardware components of a PC and assemble them.
2. Identify the external components or peripherals of a PC and connect them.
3. Write the procedure to create the files and folders
4. Write the procedure to access Calculator, Paint and Notepad application
5. Write the procedure to perform the following in MS Word
 - (a) Change the Font Size
 - (b) Change the Font Style
 - (c) Change the Text Size
6. Write the procedure to perform the following in MS Word
 - (a) Change the Font Color.
 - (b) Use Various Text Alignment Options.
 - (c) Format text in Bold, Italic and Underline.
7. Create the hierarchy of your family in MS Word.
8. Write the procedure to perform the following in MS Word:
 - (a) Insert a Table
 - (b) Add a Row
 - (c) Add a column
 - (d) Delete a Row
 - (e) Delete a column
9. Write the procedure to use Equation $\frac{(x+y)^2}{(x-y)^2} = \frac{x^2+2xy+y^2}{x^2-2xy+y^2}$ and Symbols.
10. Write the procedure to perform the following in MS Excel
 - (a) To Modify Column Width
 - (b) To Modify Row Height
 - (c) Format text in Bold, Italic, and Underline.
11. Write the procedure to create charts and Graphs in MS Excel.
12. Write the procedure to create simple Power Point Presentation on your college in Three slides.
13. Write the procedure to perform Animation on Text and Objects in your presentation.

14. Take a photographic image. Give a title for the image. Put the border. Write your names.
Write the Name of Institution and Place.
15. Prepare a cover page for the book in your subject area. Plan your own design.
16. You are given a picture of a flower and associated background (Extract.jpg). Extract the Flower only from that and organize it on a background. Select your own background for organization.
17. You are given a picture (BrightnessContrast.jpg). Adjust the brightness and contrast of the picture so that it gives an elegant look.
18. You are given a picture (position.jpg). Position the picture preferably on a plain background of a color of your choice - Positioning include rotation and scaling.
19. Remove the arrows and text from the given photographic image (Filename: photo.jpg).
20. Type a word; apply the following effects. Shadow Emboss.